

Exclusive products
for outdoor living concept

gaviota
The Sun & Shutter Specialists

GAVIOTA SIMBAC is a leading company worldwide in the accessories and systems business for smart awnings and rolling shutters. Our solar protection systems are based on innovative, safe, profitable and sustainable solutions, developed by a qualified team of over 300 people joined by the effort, research and customer engagement in partnership with the latest technological advances.

We are driven by sustainability and environmental commitment because we know that Solar Protection means Energy Saving, compliance with the Kyoto Protocol and greater quality of life. This compromise is reinforced with the rest of basic attitudes that our organization assumes as its own: sense of anticipation, in order to see the tendency and opportunities of the future; the talent and the creativity, promoted and retained in the team; respect to timeliness and customer needs and the continuous search of alliances with other companies to develop and enrich both local and global markets.

All this GAVIOTA SIMBAC philosophy distinguishes us, as do our figures: a production workshop with more than 1.000 molds and dies currently running on the machines, 10 million meters of tube and 70 millions of metallic parts per year at the tube manufacturing and stamping sections, 20 injection machines producing 200.000 pieces per day, 7 robotic production units of aluminium injection and foundry that produce more than 400.000 pieces per month and one of the biggest painting line in Europe that paints more than 30.000 pieces per day and the possibility to undertake profiles up to 7 meters long.

GAVIOTA SIMBAC, the future of our customers is our goal.

Exclusive products for outdoor living concept



*Enjoy the pleasure of live, enjoy the breeze, enjoy the outdoor,
enjoy the sun, enjoy every moment.*

*You choose how you want to live and we make it happen,
because we are specialists in creating spaces for that you enjoy.
Enjoy a lifestyle outdoor designed to create your home and turn
it into a single space, offering confort and design.*



SCREEN UNIVERSAL ZIP

UNIVERSAL ZIP SCREEN
SCREEN UNIVERSEL ZIP
SCREEN UNIVERSAL ZIP



gaviota
The Sun & Shelter Specialists

SCREEN

Exclusive products

for outdoor living concept

gaviota
The Sun & Shutter Specialists

Rulouri exterioare screen universal ZIP

- sunt destinate umbririi ferestrelor.

Si beneficiati de

- control solar, control vizual, intimitate, design minimalist, control permanent si rezistenta.
- permite confectionarea la dimensiuni mari de pana la 5x5m.



Exclusive products

for outdoor living concept

gaviota
The Sun & Shutter Specialists

- *Protectie Solara*
- *Controlul luminii*
- *Vizibilitate*
- *Protectie la Vant*
- *Protectie la ploaie*
- *Bariera de praf*
- *Protectie impotriva insectelor*
- *Clasa 1 de rezistenta la foc*
- *Clasa E de absorbtie fonica*
- *Curatare usoara si rapida*



Ce trebuie sa stim despre sistemul **screen universal zip** ?!

Este un sistem vertical , dezvoltat pentru utilizare la exterior, cu rol in a asigura confortul termic si vizual al spatiului interior. Dimensiunea, forma profilelor si tipul materialelor , il face adaptabil oricarui spatiu, usor de instalat si beneficiaza de un design modern si minimalist.

Sistemul lateral de fixare al materialului este de tip zip, ceea ce asigura o fixare perimetrala, rezistenta la vant, o umbra completa si uniforma pe intreaga suprafata de sticla. Ruloul poate fi lasat pe orice pozitie intermediara si poate fi controlat permanent.

Exclusive products

for outdoor living concept



Fiabilitate si viabilitate



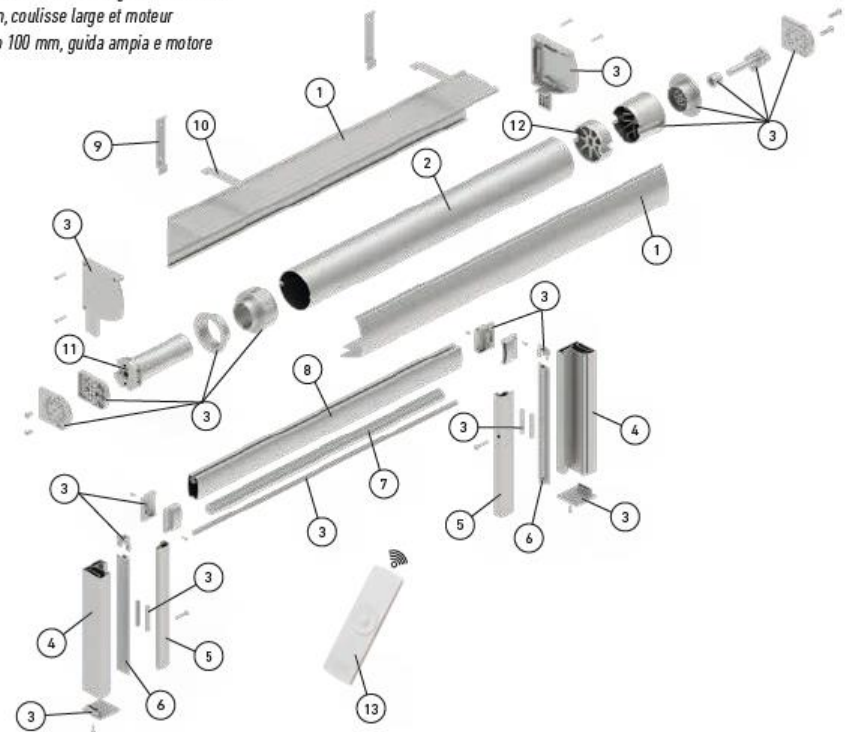
Latime ghidaj 50 mm

Despiece cajón 100 mm, guía ancha y motor

Exploded view of 100 mm box with wide guide and motor

Découpe coffre 100 mm, coulisse large et moteur

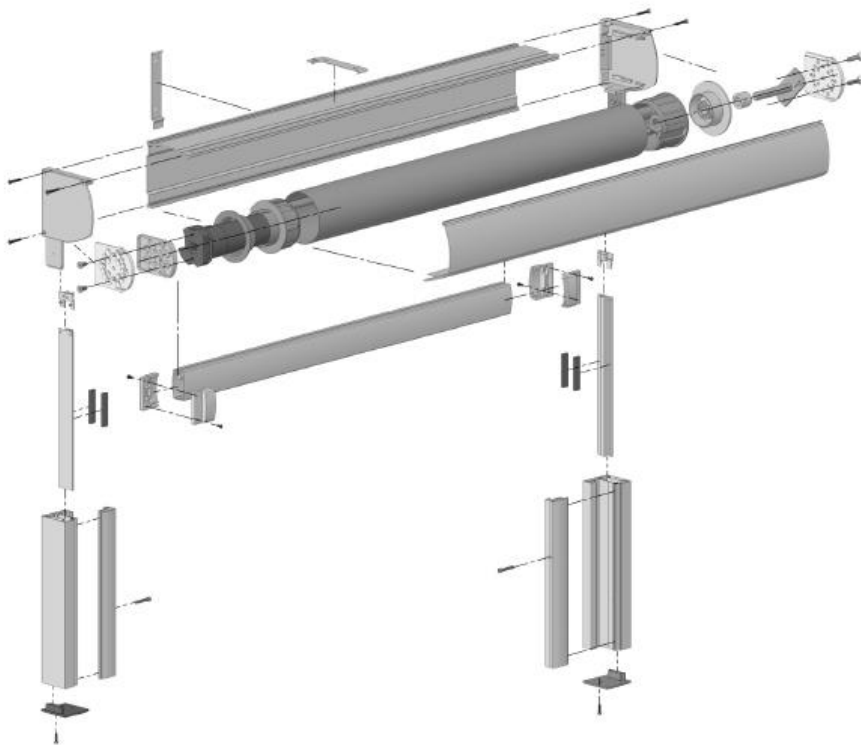
Smontaggio cassonetto 100 mm, guida ampia e motore



Exclusive products

for outdoor living concept

gaviota
The Sun & Shutter Specialists



- Sistemul este compus dintr-o caseta superioara, profil inferior si ghidaje laterale din aluminiu extrudat.
- Mecanism de actionare se afla in interiorul casetei si poate fi manual sau electric.
- Materialul de protectie este de tip sunworker si foloseste pentru fixarea in ghidaje tehnologia zip.

Exclusive products

for outdoor living concept

gaviota
The Sun & Shutter Specialists

Minimum width • Lignes minimum • Larghezze minime



	Líneas mínimas • Minimum width Lignes minimum • Larghezze minime			
	Motor • Motor Moteur • Motore		Cardan • Gear Treuil • Arganello	
	L	A	L	A
100 gula ancha 100 wide guide 100 coulisse large 100 guida ampia	750	500	500	500
100 gula estrecha 100 narrow guide 100 coulisse étroite 100 guida stretta	750	500		
130 gula ancha 130 wide guide 130 coulisse large 130 guida ampia	750	500		

Recomendado hasta
Recommended for up to • Conseillé jusqu'à • Consigliato fino a

Listado de descuentos para el montaje del tubo ojiva Ogive tube assembling sizes Longueurs pour le montage du tube a gorge Elenco degli elementi per il montaggio del rullo ogiva		
Tubo ojiva • Ogive tube Tube a gorge • Rullo ogiva	L	A
Ø70	4000	3500
Ø78	4000	2700

Cajón • Box Coffre • Cassonetto	Gula cremallera • Zip guide Guide crémailière • Cerniera	Tubo • Tube Tube • Rullo	Línea x Altura • Width x Height Ligne x Hauteur • Larghezza x Altezza
100	Ancha • Wide Large • Ampia	Ø70	4000 x 3500
		Ø78	4000 x 2700

Exclusive products

for outdoor living concept

gaviota
The Sun & Shutter Specialists



SCREEN UNIVERSAL ZIP 100 MM CON GUÍA ANCHA Y ESTRECHA

UNIVERSAL ZIP SCREEN WITH 100 MM BOX, WIDE AND NARROW GUIDE

SCREEN UNIVERSEL ZIP 100 MM AVEC COULISSE LARGE ET ÉTROITE • SCREEN UNIVERSAL ZIP 100 MM CON GUIDA AMPIA E STRETTA

Ábaco de resistencia al viento

Wind resistance abacus

Abaque de résistance au vent

Abaco di resistenza al vento



¹Velocidad de viento calculada según norma UNE-EN 13659:2004 + A1:2009. Cálculo realizado con las siguientes consideraciones:

- Categoría del terreno I
- Altura 18m respecto al suelo
- Período de retorno 20 años
- Cp: 0,18
- Densidad del aire: 1,225 Kg/m³

¹Vitesse du vent calculée selon la norme UNE-EN 13659:2004 + A1:2009. Calcul effectué selon les considérations suivantes:

- Catégorie du terrain I
- Hauteur: 18 m par rapport au sol
- Période de retour: 20 ans
- Cp: 0,18
- Densité de l'air: 1,225 Kg/m³

¹Wind speed calculated pursuant to UNE-EN 13659:2004 + A1:2009. Calculation done with the following considerations:

- Terrain category I
- Height 18m from the floor
- Return period: 20 years
- Cp: 0,18
- Air density: 1,225 Kg/m³

¹Velocità del vento calcolata secondo lo standard UNE-EN 13659:2004 + A1:2009. Calcolo svolto in base a quanto segue:

- Categoria del terreno I
- Altezza 18m al suolo
- Período di ritorno 20 anni
- Cp: 0,18
- Densità dell'aria: 1,225 Kg/m³

Medidas en metros • Measurements in metres • Mesures en mètres • Misure in metri

EN-13659:2004 Ábaco de resistencia al viento • Wind resistance selection abacus
Abaque de résistance au vent • Abaco resistenza al vento

Screen Universal con guía • Universal Screen with guide
Screen Universel avec coulisse • Screen Universal con guida

1,50	2,00	2,95	3,00	3,50	4,00	L / A
Clase 6	Clase 6	Clase 6	Clase 3	Clase 3	Clase 3	1,50
Clase 6	Clase 6	Clase 6	Clase 3	Clase 3	Clase 3	1,75
Clase 6	Clase 6	Clase 6	Clase 3	Clase 3	Clase 3	2,00
Clase 6	Clase 6	Clase 6	Clase 3	Clase 3	Clase 3	2,35
Clase 3	Clase 3	Clase 3	Clase 3	Clase 3	Clase 3	2,50
Clase 3	Clase 3	Clase 3	Clase 3	Clase 3	Clase 3	2,70

Resistencia al Viento • Wind Resistance • Résistance au Vent • Resistenza al Vento

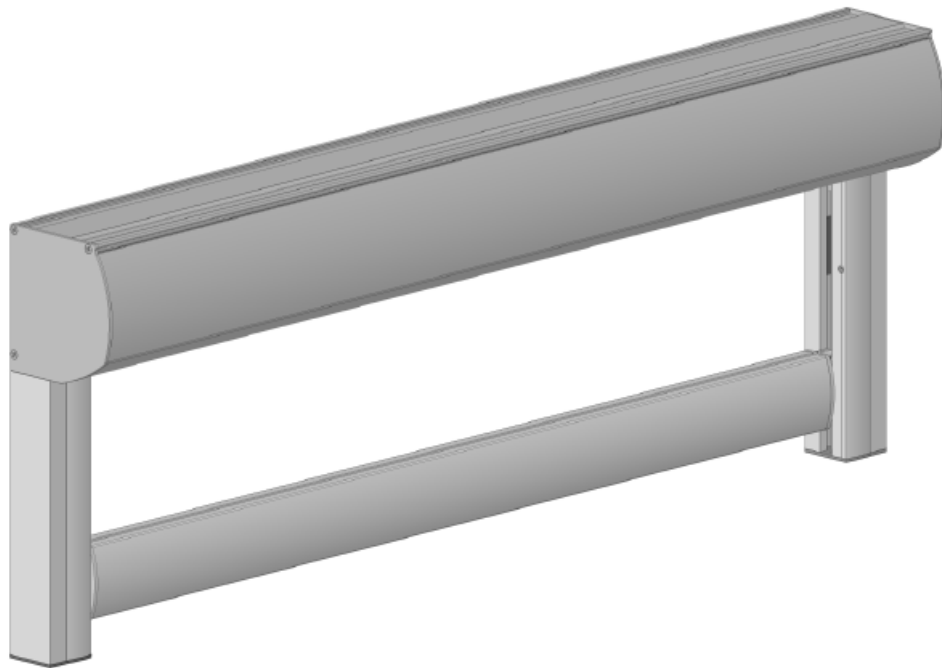
Clase • Class Clase • Classe	Velocidad Máxima Viento • Maximum Wind Speed Vélocité Maximale Vent • Velocità Massima Vento	Presión • Pression Pression • Pressione
3	180 Km/h	100 N/m ²
6	1160 Km/h	400 N/m ²

Exclusive products

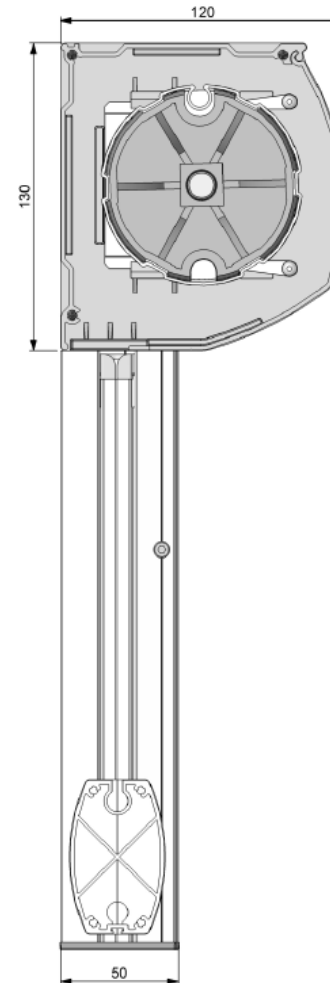
for outdoor living concept

gaviota
The Sun & Shutter Specialists

SCREEN UNIVERSAL ZIP 130



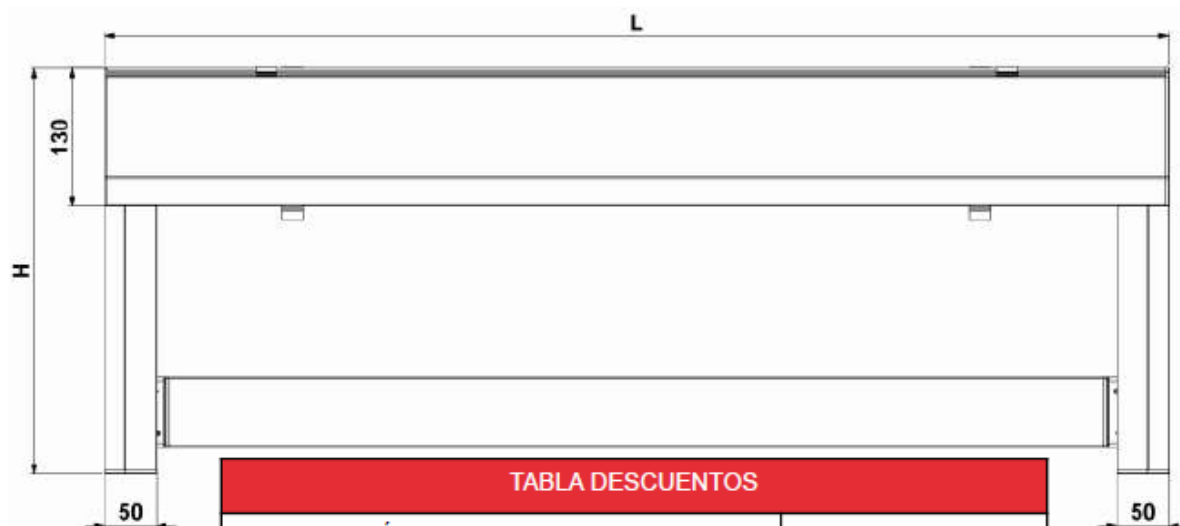
Fiabilitate si viabilitate



Exclusive products

for outdoor living concept

gaviota
The Sun & Shutter Specialists



RANGO DE USO		
Ø TUBO	X MAXIMA	L MAXIMA
Ø85	5000	5000

TABLA DESCUENTOS	
PERFIL CAJÓN	L-6 mm
PERFIL REGISTRO	L-6 (+0/-0.5) mm
PERFIL GUÍA ANTERIOR	H-133 mm
PERFIL GUÍA POSTERIOR	H-133 mm
PERFIL BARRA CARGA	L-123(±0.5)
PERFIL CIERRE LONA PVC	H-145(+0/-1)
TUBO OJIVA Ø85	L-115
LONA SCREEN C/CREMALLERA	L-73 H+300
BARRA REFUERZO ACERO Ø22	2 Pzs. de 1,5 m en cada extremo de la barra de carga
NEOPRENO AUTO-ADHESIVO 10X4 mm	2 Pzs. cada 40cm

Exclusive products

for outdoor living concept

SCREEN UNIVERSAL ZIP 130 MM CON GUÍA ANCHA

UNIVERSAL ZIP SCREEN WITH 130 MM BOX AND WIDE GUIDE

SCREEN UNIVERSEL ZIP 130 MM AVEC COULISSE LARGE • SCREEN UNIVERSAL ZIP 130 MM CON GUIDA AMPIA



Ábaco de resistencia al viento

Wind resistance abacus
Abaque de résistance au vent
Abaco di resistenza al vento



EN-13659:2004 Ábaco de resistencia al viento • Wind resistance selection abacus
Abaque de résistance au vent • Abaco di resistenza al vento

Screen Universal con guía • Universal Screen with guide
Screen Universel avec coulisse • Screen Universal con guida

1,50	2,00	2,50	3,00	3,50	4,00	4,50	5,00	L / A
Clase 3	Clase 3	Clase 3	Clase 3	Clase 3	Clase 3	Clase 3	Clase 3	1,50
Clase 3	Clase 3	Clase 3	Clase 3	Clase 3	Clase 3	Clase 3	Clase 3	2,00
Clase 3	Clase 3	Clase 3	Clase 3	Clase 3	Clase 3	Clase 3	Clase 3	2,50
Clase 3	Clase 3	Clase 3	Clase 3	Clase 3	Clase 3	Clase 3	Clase 3	3,00
Clase 3	Clase 3	Clase 3	Clase 3	Clase 3	Clase 3	Clase 3	Clase 3	3,50
Clase 3	Clase 3	Clase 3	Clase 3	Clase 3	Clase 3	Clase 3	Clase 3	4,00
Clase 3	Clase 3	Clase 3	Clase 3	Clase 3	Clase 3	Clase 3	Clase 3	4,50
Clase 3	Clase 3	Clase 3	Clase 3	Clase 3	Clase 3	Clase 3	Clase 3	5,00

NOTA: Las clases expuestas han sido obtenidas según las condiciones de ensayos descritos en los E.I.T. de Gaviota.

NOTE: The different classes have been fulfilled according to the described conditions at Gaviota initial tests.

NOTE: Le classement exposé a été obtenu suivant les conditions d'essais indiquées sur le manuel technique E.I.T. de Gaviota.

NOTA: Le classi esposte, sono state ottenute secondo le condizioni di prova descritte nel manuale E.I.T. di Gaviota.

- Ensayos realizados con lona microperforada.
- Tests carried out with microperforated canvas.
- Essais réalisés avec toile micro-perforée
- Prove realizzate con telone microperforato.

Resistencia al Viento • Wind Resistance • Resistance au Vent • Resistenza al Vento		
Clase • Class Clase • Classe	Velocidad Máxima Viento • Maximum Wind Speed Vélocité Maximale Vent • Velocità Massima Vento	Presión • Pressure Pression • Pressione
3	180 Km/h	100 N/m ²

Clase 3 • Class 3 • Classe 3 • Classe 3

IM Imposibilidad de montaje • impossible to assemble • impossibilité de montage • impossibile il montaggio

Exclusive products

for outdoor living concept



SUNWORKER

Optimal visual and thermal comfort

Can be used both indoors and outdoors, at temperatures ranging from -30°C to 70°C.



Sunworker fabrics have a small carbon footprint and are Greenguard-certified, helping create a healthier and less polluting indoor environment. Installing a Sunworker fabric can consequently earn points towards green building certification.

TECHNICAL SPECIFICATIONS

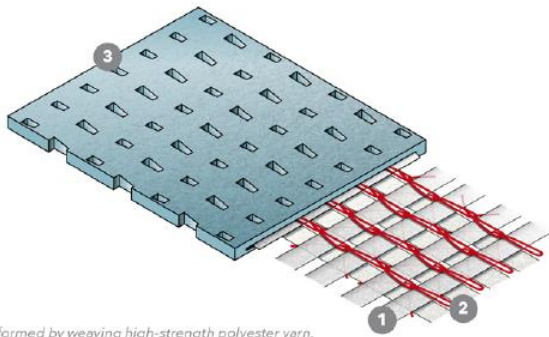
	Weight NF EN ISO 2286-1	Flame retardancy M1 (NF 92503) - B1 (DIN 4102) - C1 (UNI 9176) - Class 1 (UNE-EN 13773:2003) - Bs2d0 (Euroclass EN 13501-1)	Openness factor	Thickness NF EN ISO 2286-3	Tearing strength in daN/5cm DIN 53363	Tensile strength in daN/5cm NF EN ISO 13934-1	Width/roll length
SUNWORKER	320gsm	M1 - B1 - C1 - Class 1 - B s2 d0	6%	0.42mm	Warp43 Weft22	Warp220 Weft150	150cm/60m 300cm/30m
SUNWORKER METAL		M1 - B1 - Class 1	5%				

Exclusive products

for outdoor living concept



AN INNOVATIVE WEAVING TECHNIQUE



- 1 Textile ply formed by weaving high-strength polyester yarn.
- 2 Binder yarn secures the textile ply but allows the threads to move independently of each other, thereby distributing and absorbing the mechanical energy in the event of tearing.
- 3 A special coating that protects colours from UV rays and inclement weather.

Materialul sunworker este realizat dupa o tehnologie inovativa care combina tesatura firelor din polyester de inalta rezistenta de alte fibrele de legatura ce permit o deplasare independenta, astfel ca absoarbe si distribuie diferit, energia mecanica de pe material.

Finisajul ambelor fete este reprezentat de un lac protector impotriva razelor UV, care are rolul de a pastra culoarea originala timp indelungat si permite o curatare usoara a suprafetelor.

5 Motive Pentru Care Alegem Materialul SUNWORKER:

- **Estetic** - o textura subtire si neteda, culori variate si rezistente, o lumina dufuzata armonios
- **Confort vizual** - are un grad general de 6% al deschiderii tesaturii, permite in medie patrunderea luminii naturale in proportie de 30%; reduce stralucirea soarelui
- **Reducerea costurilor** - genereaza consum redus de energie si consum redus de lumina si ajuta la un mediu mai sanatos pentru ocupantii cladirii;
- **Rezistenta si siguranta** - cel mai rezistent material de pe piata (vezi testul - https://www.youtube.com/watch?time_continue=1&v=3ll6VAoctno); clasificare de rezistenta la foc si certificare greenguard;
- **Confort Termic** - respinde pana la 95% * din caldura primita si functioneaza ca o bariera impotriva radiatiilor solare. (in functie de tipul de material, vezi caracteristicile)

Exclusive products

for outdoor living concept

gaviota
The Sun & Shutter Specialists



Exclusive products

for outdoor living concept

gaviota
The Sun & Shutter Specialists



Exclusive products

for outdoor living concept

gaviota
The Sun & Shutter Specialists



Exclusive products

for outdoor living concept

gaviota
The Sun & Shutter Specialists



gaviota

The Sun & Shutter Specialists

GAVIOTA SIMBAC EASTERN EUROPE
Autostrada Bucuresti-Pitesti, Km. 23
087015 Bolintin Deal (Giurgiu) ROMANIA
[Website](#) | [Facebook](#) | [YouTube](#) | [Instagram](#)
Think before you print.