

Telescopic pole

gaviota
Sun Life Specialist

Telescopic pole

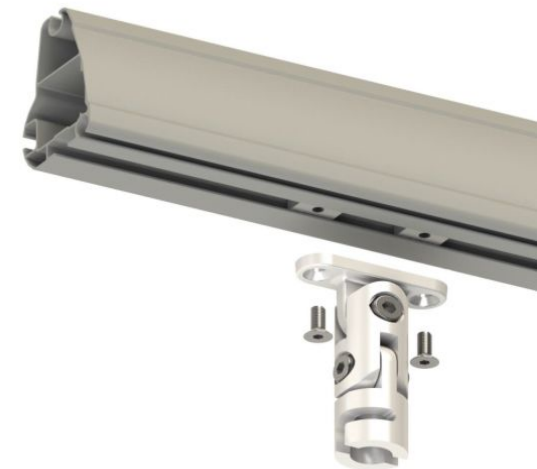
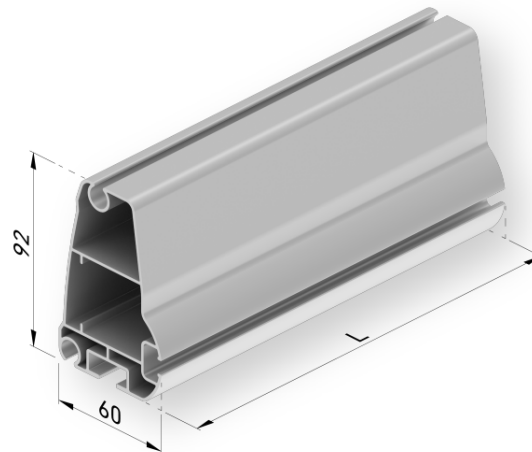
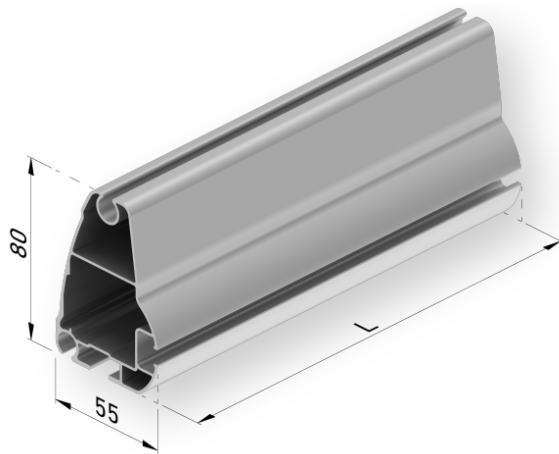
gaviota
Sun Life Specialist

- Adjustment system for charge profile
- Gives stability and strength
- Protects from sudden wind gusts
- Simple installation and adjustment



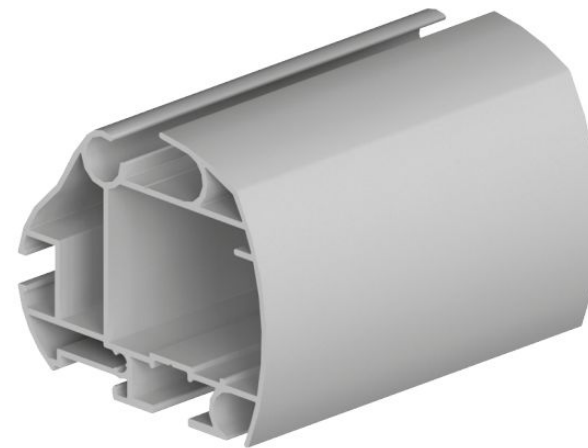
Compatible with charge profiles:

- Bambú 2 y 3.



Compatible with charge profiles:

- Concept 250 y 350.

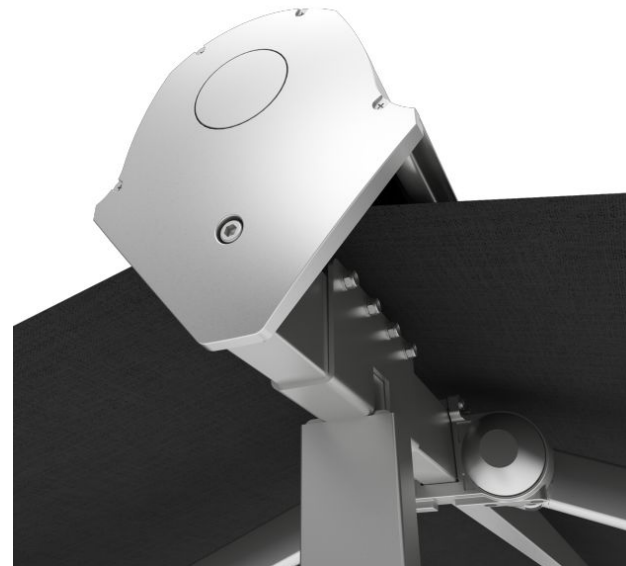


Telescopic pole

gaviota
Sun Life Specialist

Compatible with charge profile:

- Gemini.

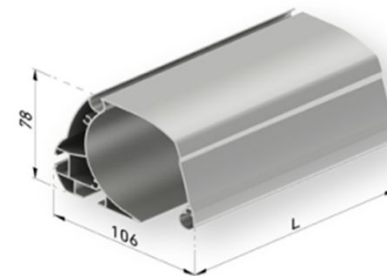
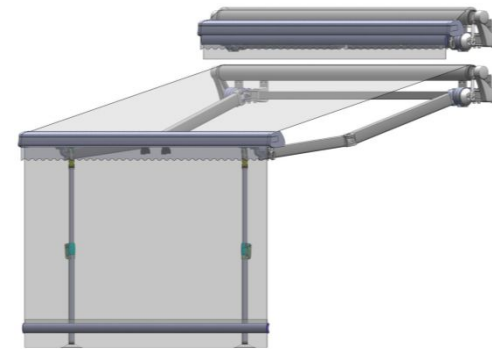


Telescopic pole

gaviota
Sun Life Specialist

Compatible with las charge profile:

- Vertiko.

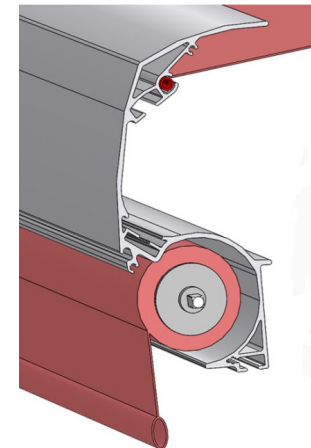
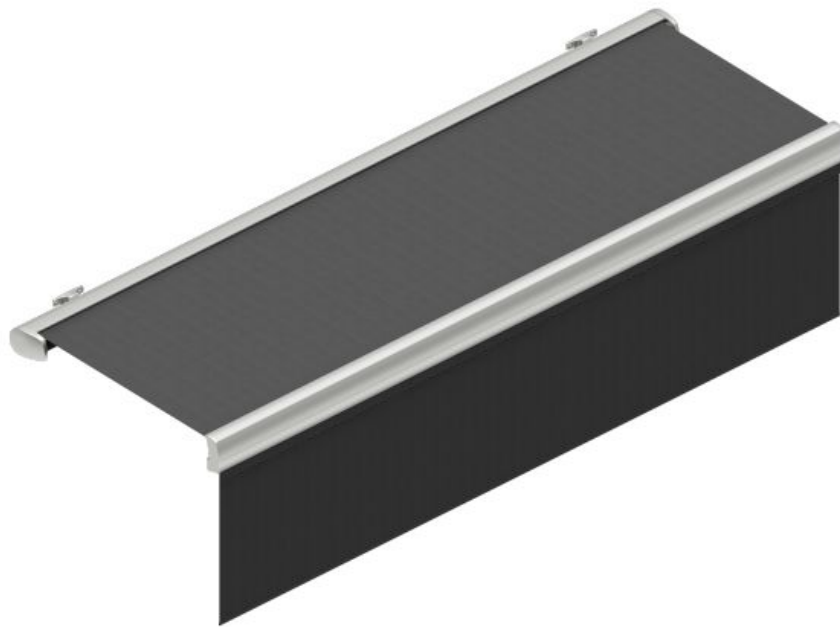


Telescopic pole

gaviota
Sun Life Specialist

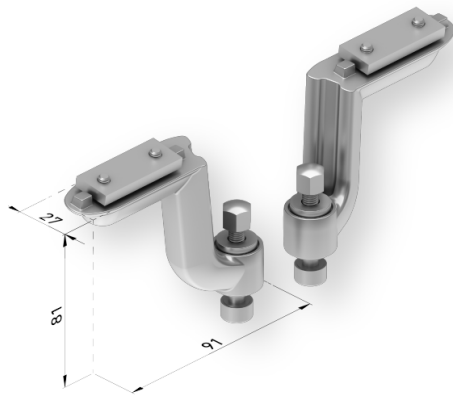
Compatible with las charge profiles:

- Kýma Vertiko.



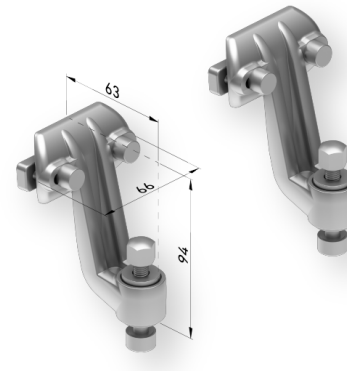
Incompatible with:

- Lateral arms adjustments Premium



Compatible with:

- Frontal and inferior arms adjustments Premium



Telescopic pole

gaviota
Sun Life Specialist

HOMOLOGATION:

- Compressive strength 50 kg.



Telescopic pole

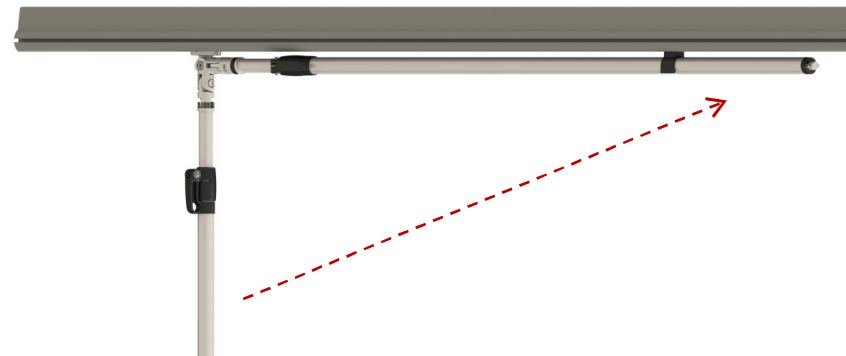
gaviota
Sun Life Specialist

- The articulation to fold and fix the pole to the charge profile.



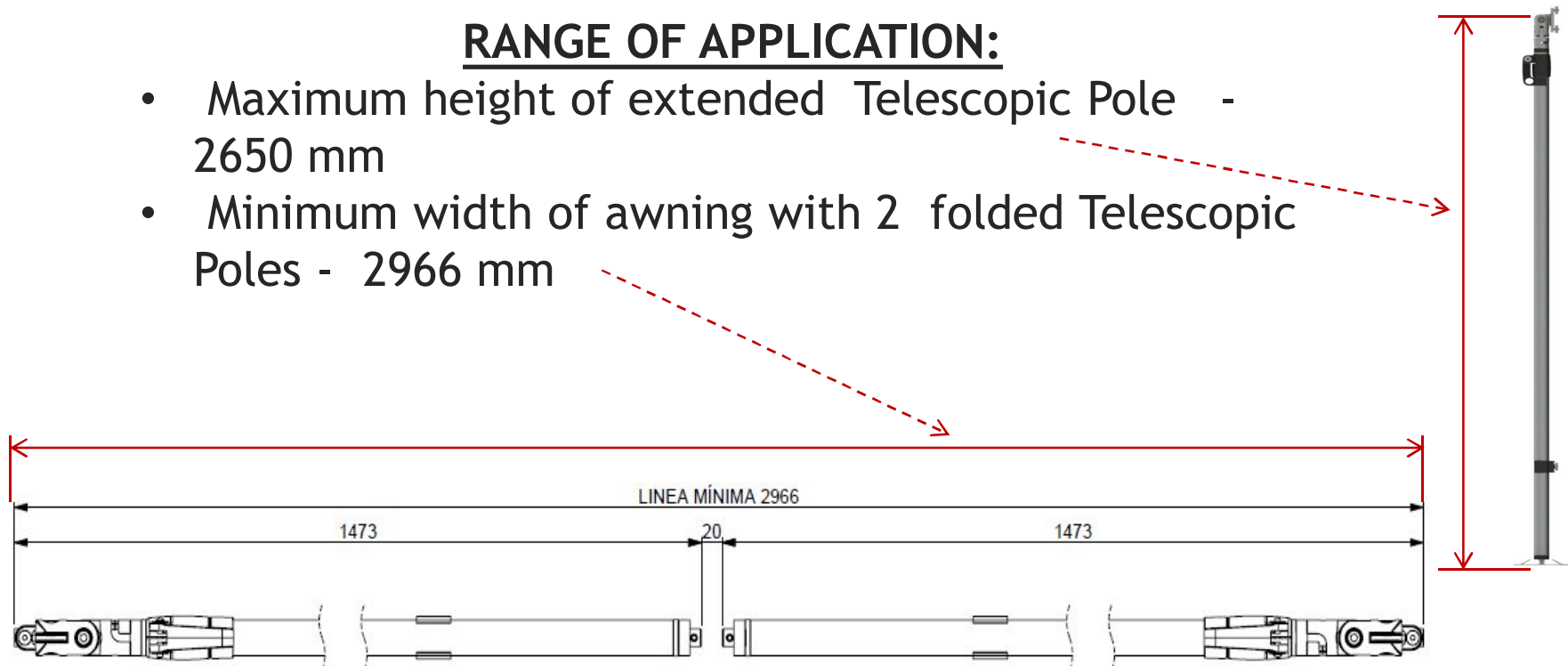
2 OPTIONS:

- Disassemble the pole from the charge profile and from the floor base.
- Fold the pole under the charge profile and fix on it.



RANGE OF APPLICATION:

- Maximum height of extended Telescopic Pole - 2650 mm
- Minimum width of awning with 2 folded Telescopic Poles - 2966 mm



Telescopic pole

gaviota
Sun Life Specialist

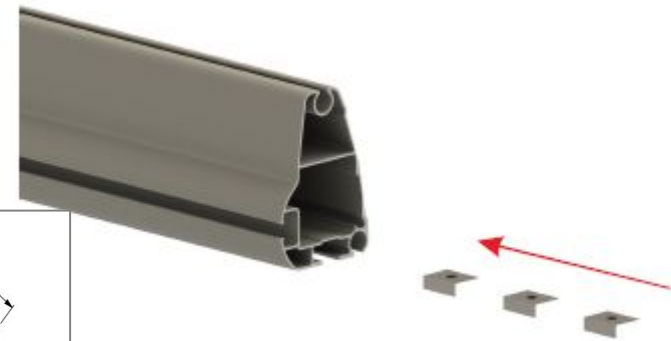
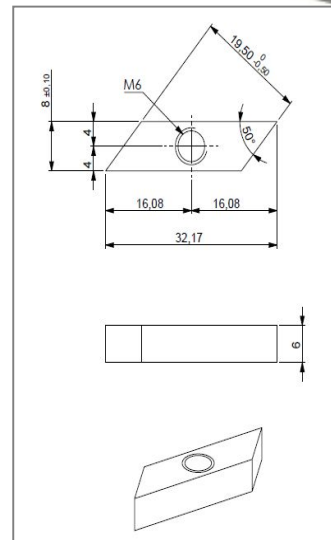
ASSEMBLY AND INSTALLATION



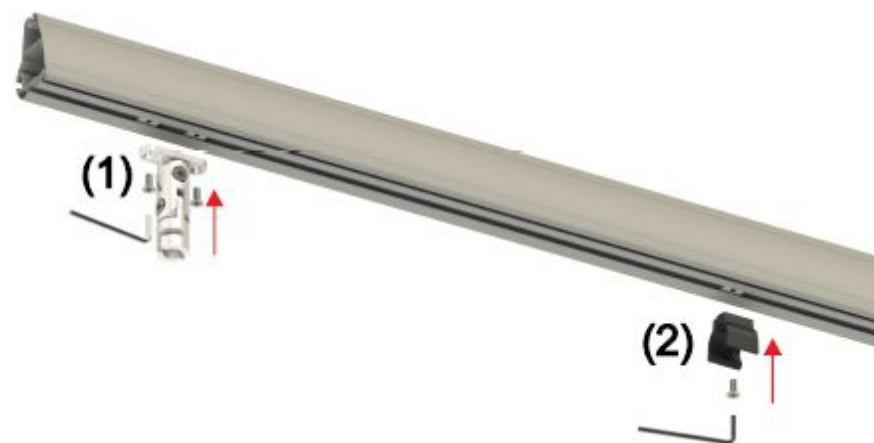
- Insert the adjustment flanges in the profile housing.

Flange rhombus:

Let the direct access to the charge profile housing.



- Screw the joint (1) and the clip lock (2).



Telescopic pole instalación

gaviota
Sun Life Specialist

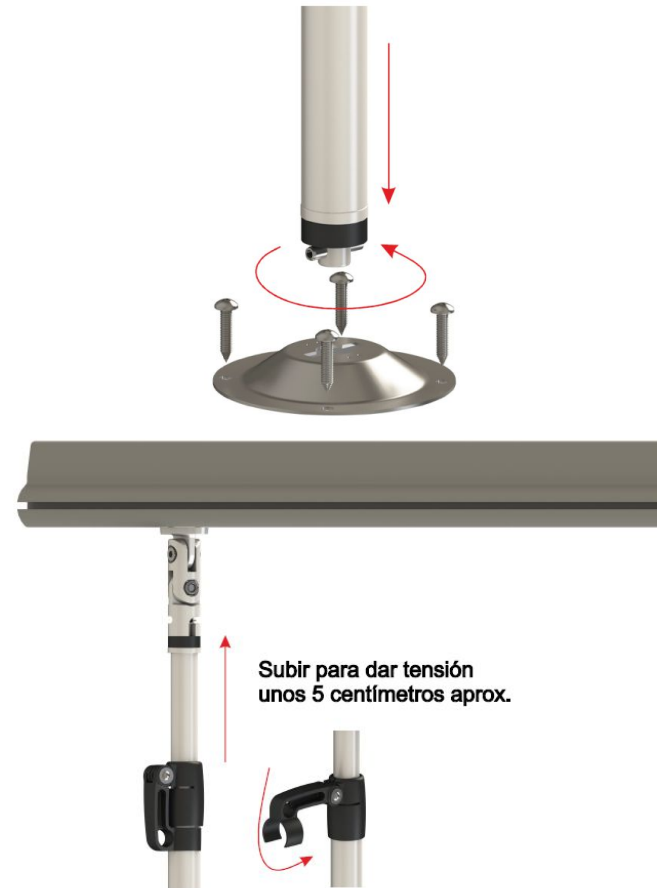
- Insert the pole and fix it by turning it in.



Telescopic pole instalación

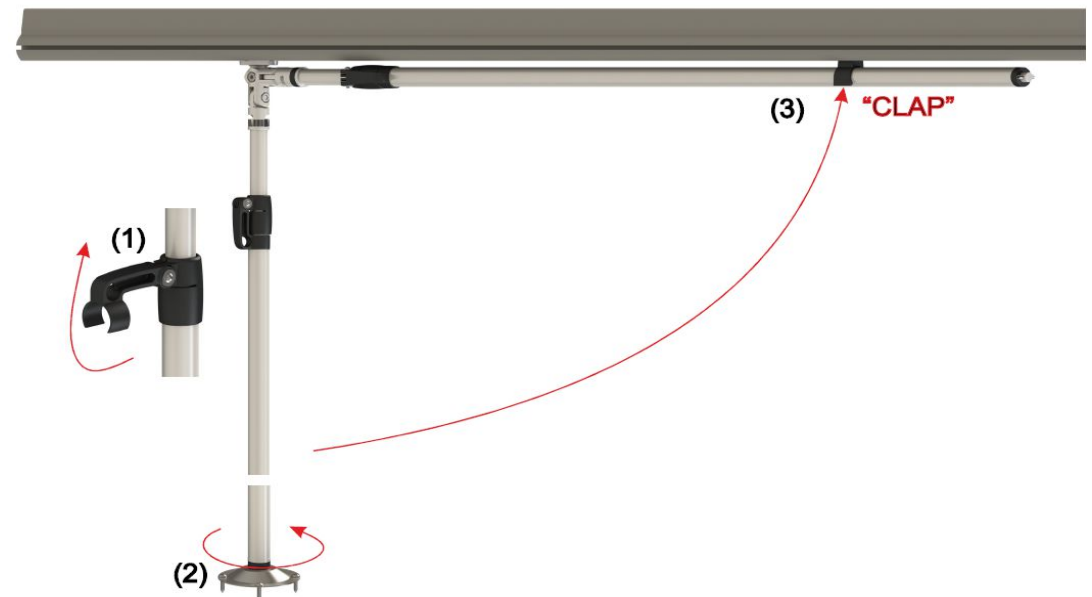
gaviota
Sun Life Specialist

- Screw the base to the floor. Insert the pole and fix it by turning it in.
- Tighten it by raising the pole +/- 5 cm y fixing it with the trigger.



How to fold the pole:

- Release the trigger.
- Release it from the base.
- Turn the pole and clip it to the lock.



Telescopic pole

gaviota
Sun Life Specialist



Telescopic pole

gaviota
Sun Life Specialist



NOTE: Copyright GAVIOTA SIMBAC S.L.

GAVIOTA SIMBAC S.L. owns the copyrights to the photographs, illustrations, and text in this material, and these may not be used, copied, or reproduced in any form, nor by any means, without prior authorization of GAVIOTA SIMBAC S.L. .



gaviota

Sun Life Specialist