

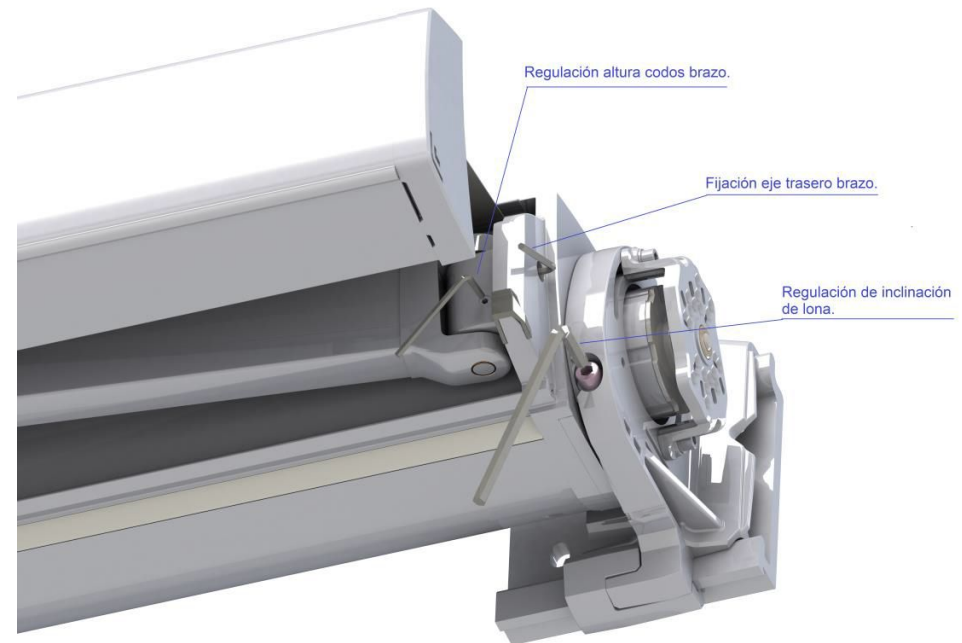
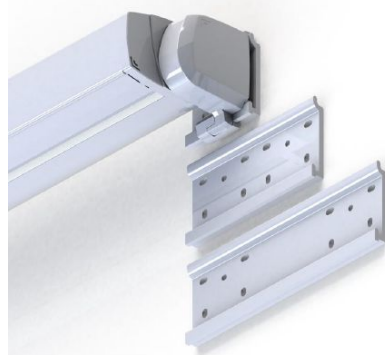
Arko

gaviota
Sun Life Specialist

- Arm Arko with textil strap (better strength)
- All covers are of aluminium, including arm caps.
- Maximum dimensions 6x4.
- Without central support.
- Ceiling installation without additional supports.
- LED lighting integrated in the box profile.
- Led cable outlet directed to the wall.
- Universal motor support.



- Frontal access to fabric inclination adjustment and elbow height.
- Accessible with folded arm and minimum box opening (Patent)
- Compatible with special lengths wall supports.



HOMOLOGATION: UNE-EN 13561 Class 2

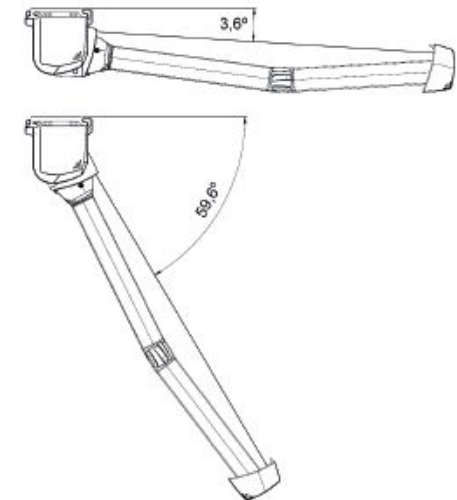
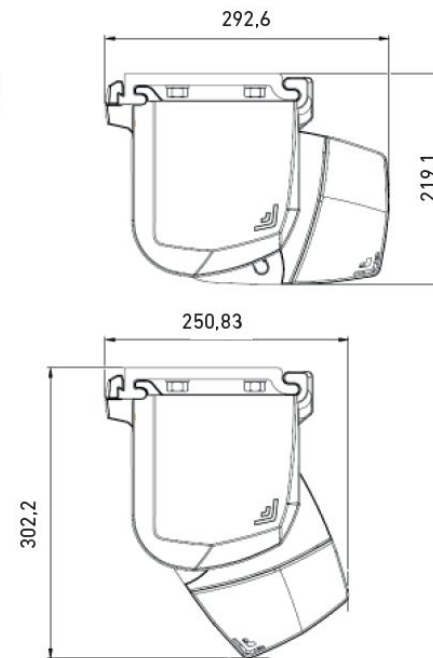
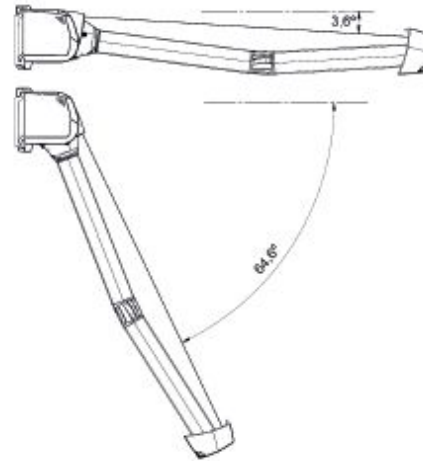
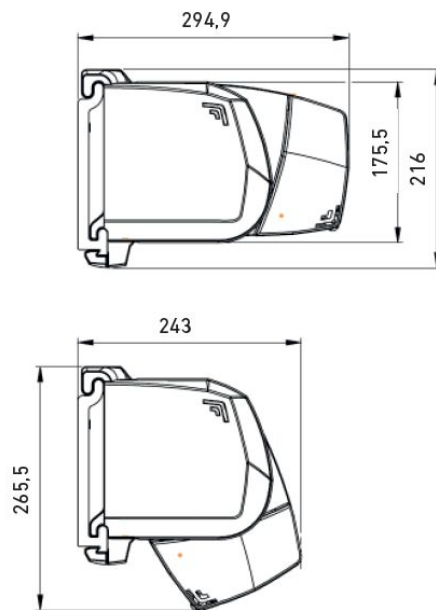
- Motor: 6x4 (to wall or to ceiling)
- Gear: 6x3



Fabric inclination.

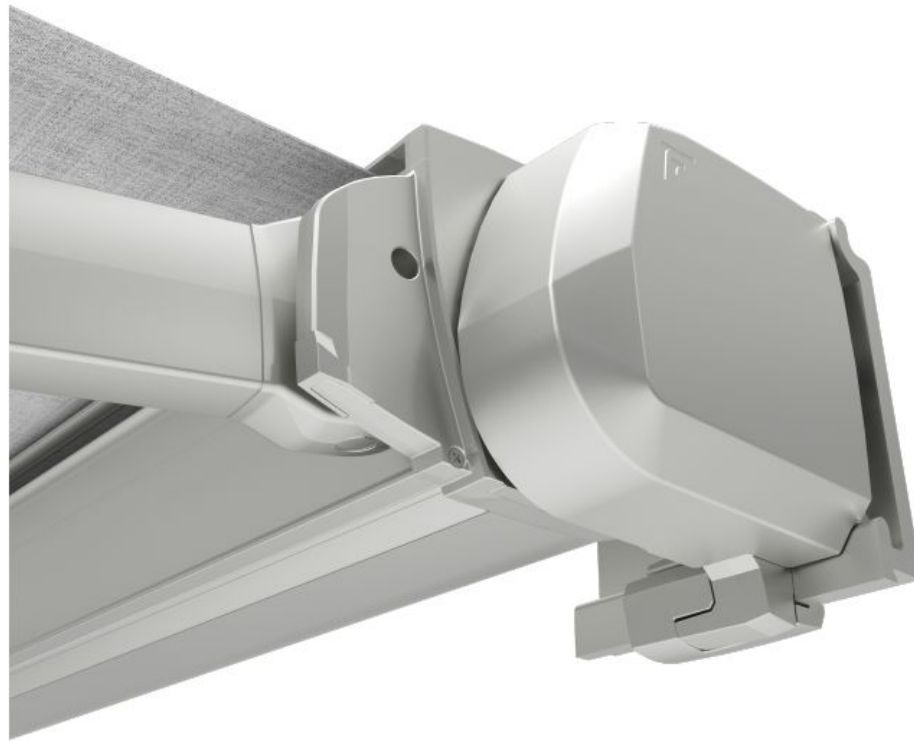
Wall: From 3,6° to 64,6°

Ceiling: From 3,6° to 59,6°



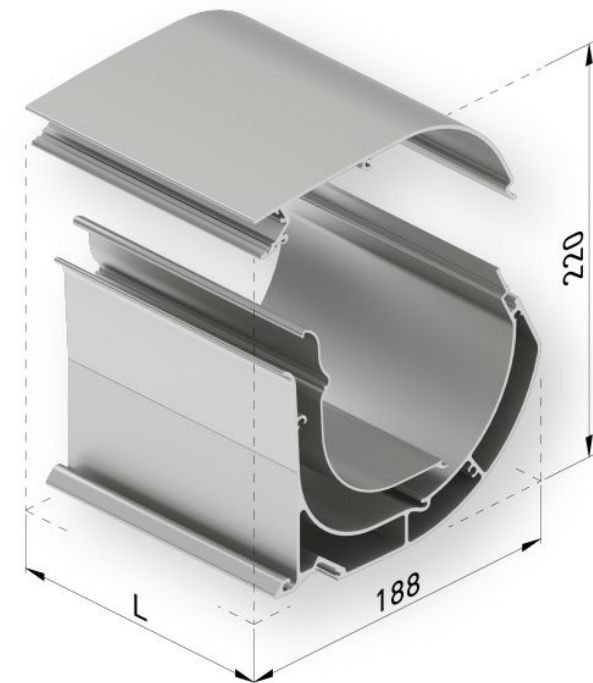
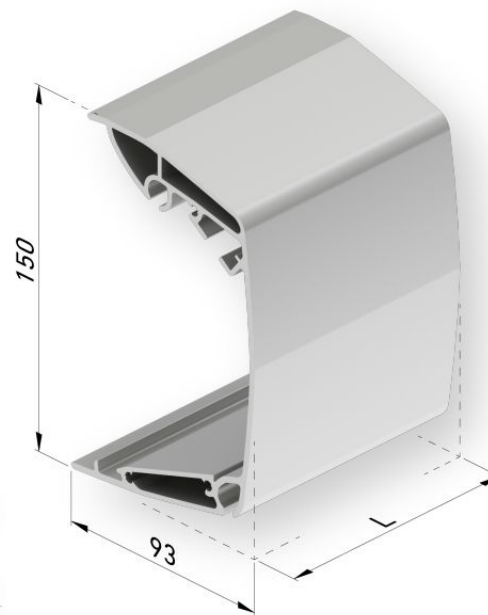
Arko

gaviota
Sun Life Specialist



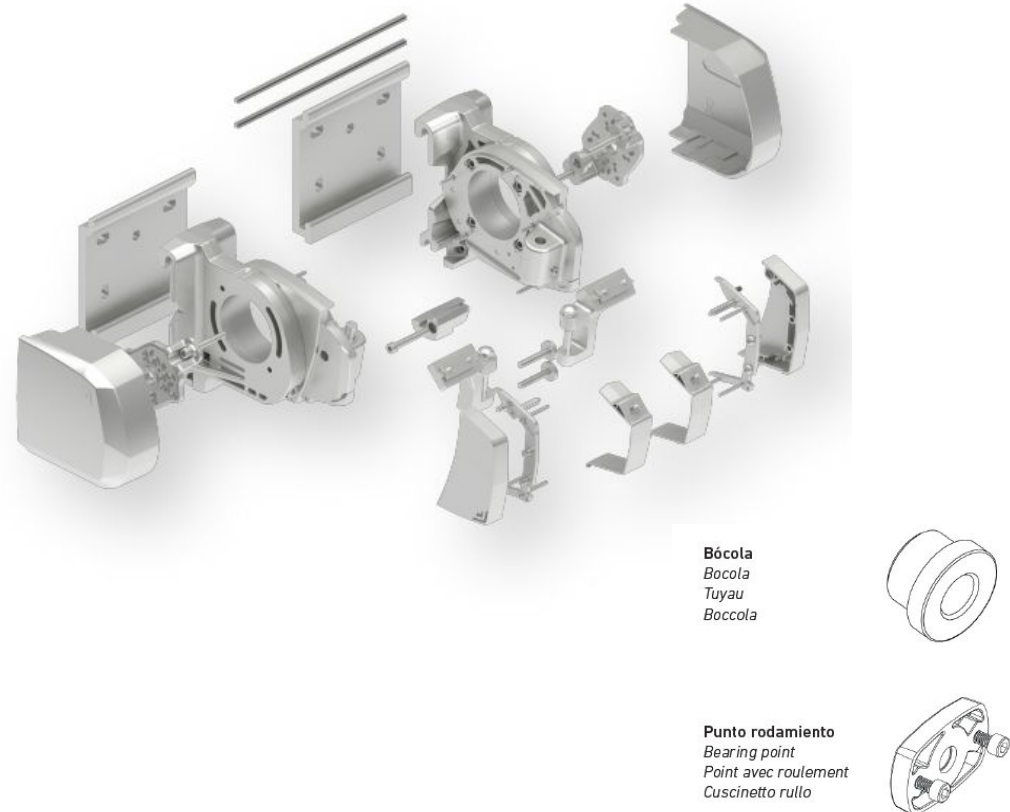
Box profiles :

- Box
- Upper profile
- Frontal profile PVC
- +
• Charge profile
- +
• Translucent profile



Kit box covers:

- Lateral supports
- Motor and opposite side supports
- Plastic bearing / Plastic ring
- Brush seal
- Screws
- Box covers
- Charge profile covers
- Wall supports
- Box security plates
- Front arms adjustments



Arko

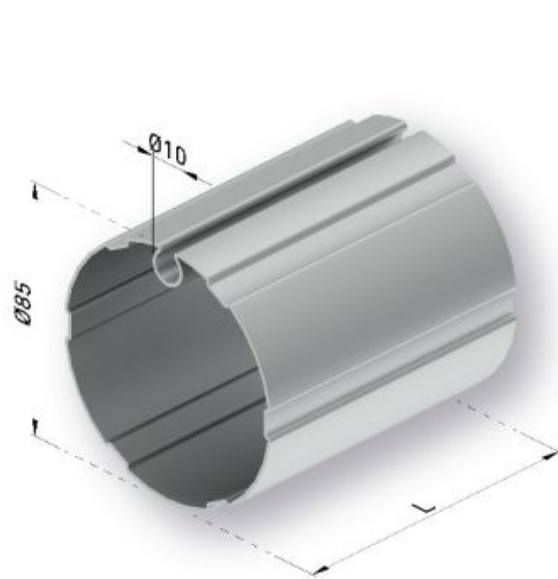
gaviota
Sun Life Specialist

Arm ARKO

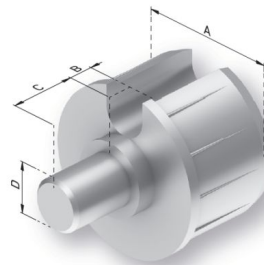


TUBE + CAPS

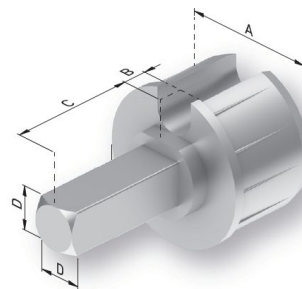
Tube $\varnothing 85 \times 1,2$



Caps



Caps oposite side				
Ref.	A	B	C	D
80020087	$\varnothing 85$	7,5	20	12



Caps for gear				
Ref.	A	B	C	D
80020088	$\varnothing 85$	7,5	33	13

OPERATION

Motor

- Series 45 50Nm - for arms projection 2 and 2,5 m
- Series 55 80Nm- for arms projection 3; 3,5 and 4 m

Options Gaviota motor :

- CROSS BOX
- GSM manual override
- GSM radio manual override

NOTE: Motor Somfy CSI M. override is not compatible with ceiling installation .



Gear



MOTOR ADAPTORS:

- Set of adaptors 85 ogiva series 45 (60070076)
- Set of adaptors 85 ogiva series 55 (60070065)



MOTOR ACCESORIES

- Remote control Cross
- Sun-Wind central Cross
- Eye rod (cod. 60080094 - for motor GSM)
- Receiver Cross (60090153 - for leds lighting)



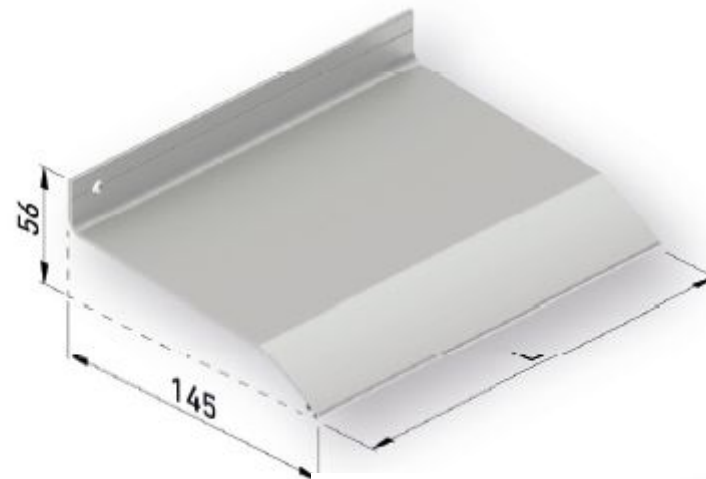
OPTIONAL:**Lighting leds:**

- Translucent profile
- Strip led 6 m
- Alimentation source

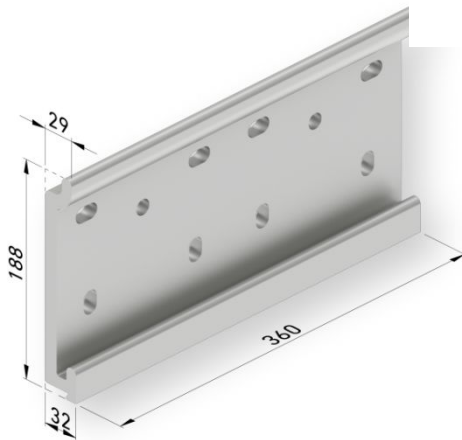


OPTIONAL:***Box flat hood:***

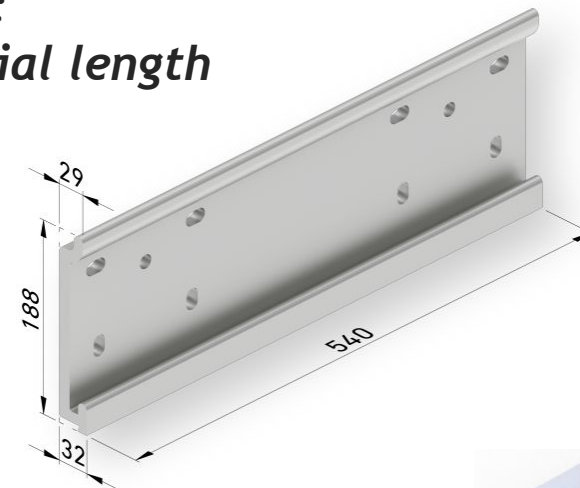
- Hood profile
- PVC seal



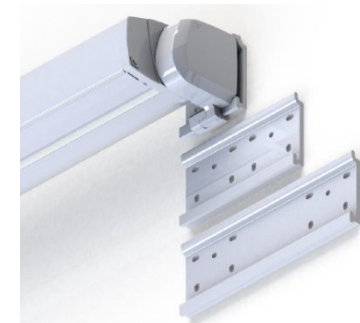
OPTIONAL:
Support with special length



- Recommended with arms projection 3, 3,5 and 4 m to improve wall fastening.
- 6 screw fixing.



- Recommended with arms projection 3, 3,5 and 4 m to install one box next to another one.
- 8 screw fixing.



OPTIONAL:

- PVC profile for ogiva .

**Opción sin y con faldilla**

*Option with and without valance
Option avec et sans lambrequin
Opzione senza e con lembo*

Arko

gaviota
Sun Life Specialist

ASSEMBLING



Tabla de descuentos • Discount table • Tableau de réductions • Tabella di regolazione dei tagli

	Extremo punto <i>End point</i> <i>Extrémité point</i> <i>Estremità del rullo</i>	Longitud de eje <i>Axis length</i> <i>Longueur d'axe</i> <i>Longitudine dell'asse</i>	Márgenes de enrolla* <i>Wind up margin*</i> <i>Marges'enroulement*</i> <i>Margini di avvolgimento*</i>	D	Longitud perfiles <i>Profile length</i> <i>Longueur profilés</i> <i>Longitudine profili</i>	Longitud de lona <i>Canvas length</i> <i>Longueur de la bâche</i> <i>Longitudine telo</i>	Longitud perfil patin <i>Skid profile length</i> <i>Longueur profilé étai</i> <i>Longitudine profilo pattino</i>
Motor <i>Motor</i> <i>Moteur</i> <i>Motore</i>	Bócola <i>Boccola</i> <i>Tuyau</i> <i>Boccola</i>	L-48-H	75	D= L	L-196	L-213	L-198
	Punto rodamiento <i>Bearing point</i> <i>Point avec roulement</i> <i>Cuscinetto rullo</i>	L-53-H	70				
Máquina <i>Gear</i> <i>Treuil</i> <i>Argano</i>	Bócola <i>Boccola</i> <i>Tuyau</i> <i>Boccola</i>	L-91	75				
	Punto rodamiento <i>Bearing point</i> <i>Point avec roulement</i> <i>Cuscinetto rullo</i>	L-96	70				

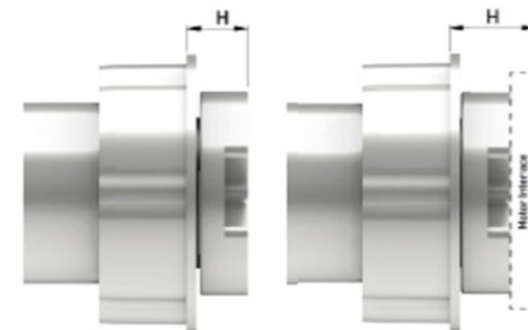
Only with minimum widths:

- $D = L-24$ (all installations)

Projection	Min.Width
2	2380
2,5	2884
3	3464
3,5	3968
4	4472

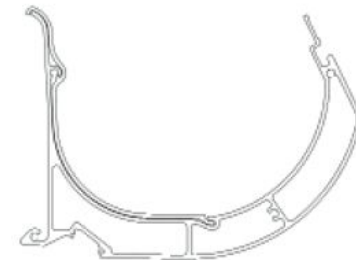
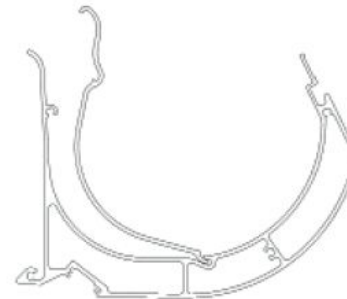
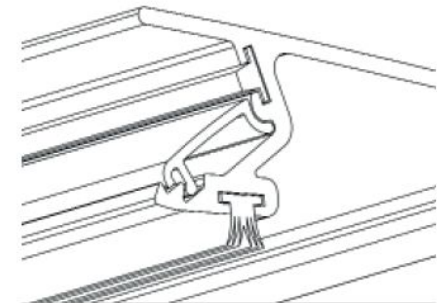
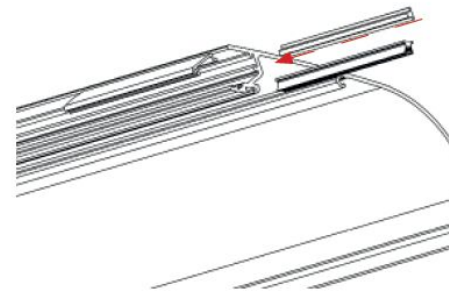


<i>Dimentions H motors Gaviota</i>		
<i>Code</i>		<i>Tube 85</i>
60050142	MOTOR GSM 50/12 S45	25,5 mm
60050143	MOTOR GSM-80/12 S55	27,5mm
60050159	MOTOR RADIO GSM 50/12 S45	25,5 mm
60050160	MOTOR RADIO GSM 80/12 S55	27,5mm
60050166	MOTOR CROSS BOX 50/12 S45	20 mm
60050212	MOTOR CROSS BOX 80/12 S55 Repragr	18 mm

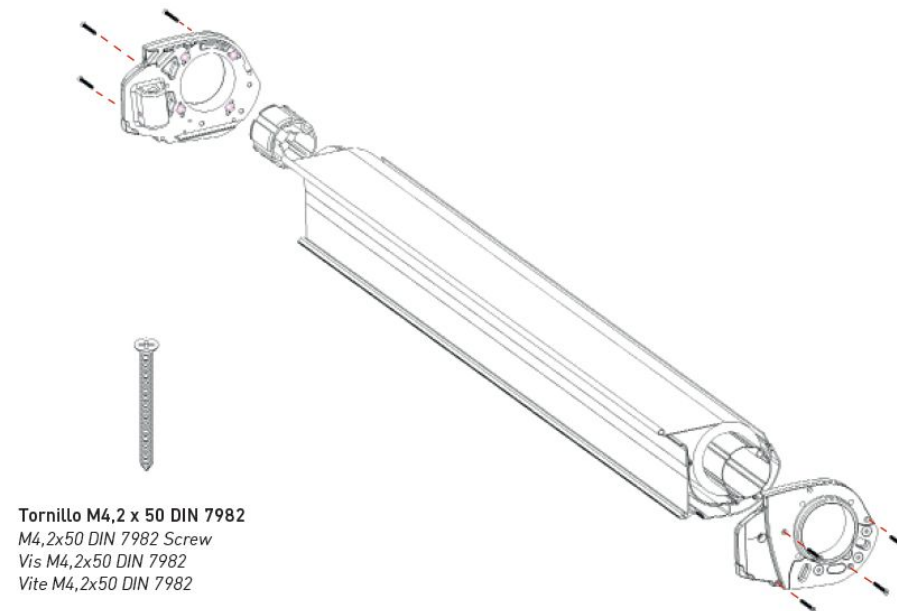


Place in these two profiles the appropriate protections::

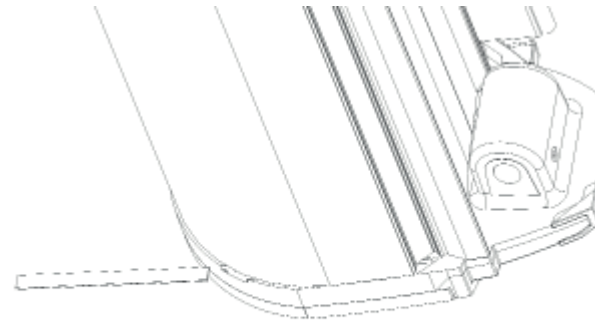
- *- Upper profile - rubber seal and brush seal*
- *- Box - frontal PVC profile*



- *Wrap the canvas on the axis -the point side as a reference: place the canvas on the end of the axis recommended on the discount table.*
- *Assemble the cap and place the complete assembly on the box profile.*
- *Screw the two mobile brackets to the box profile, threading the axis ends of the canvas through them.*

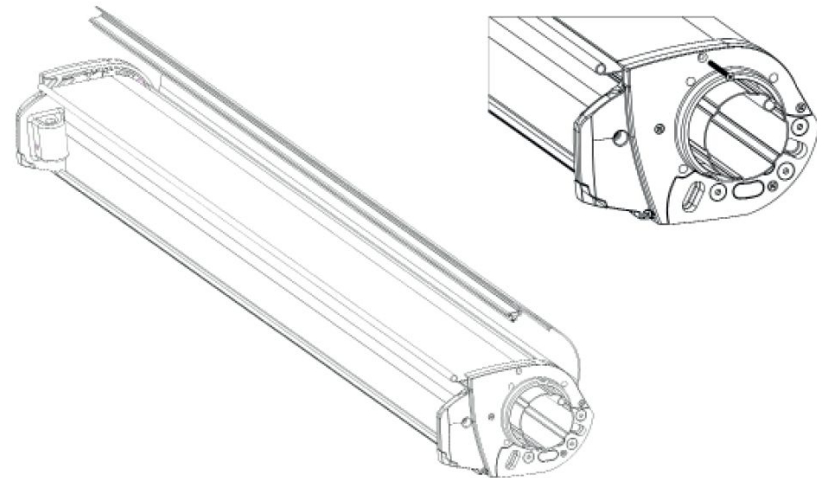


- *Insert the cable guide in the groove of the mobile bracket.*



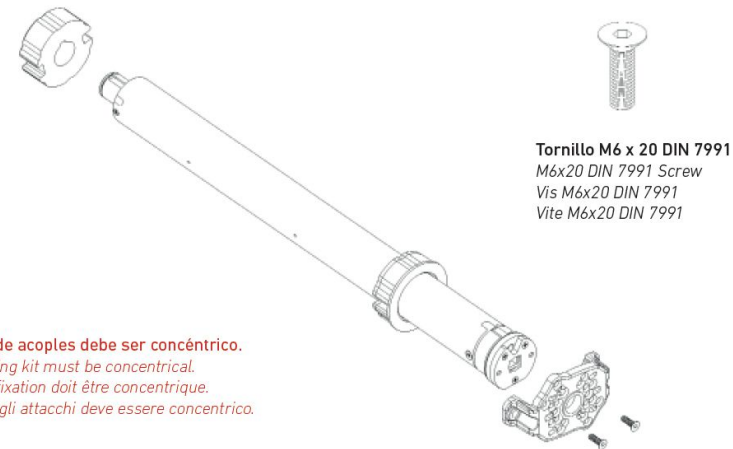
- *Dock the top profile to the box profile.*

Note: Allow approximately 400 mm of canvas to stand out.



1) MOTOR

- *Assemble the motor and the appropriate couplings to the motor bracket.*
- *Observe the fixing positions depending on the desired orientation and type of motor.*



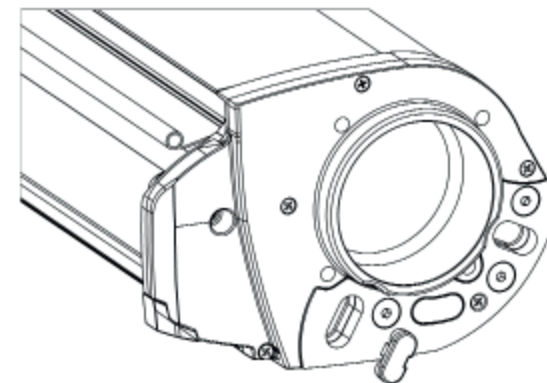
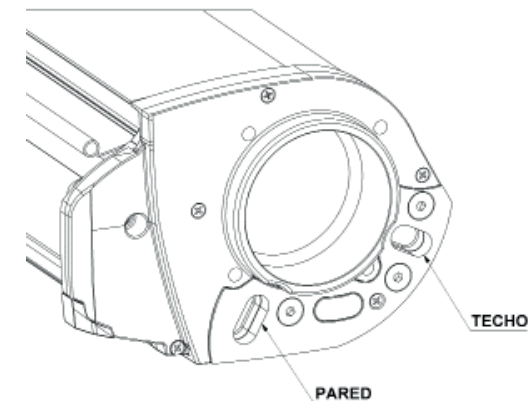
Nota: el juego de acoples debe ser concéntrico.
Note: The coupling kit must be concentric.
Note : le jeu de fixation doit être concentrique.
Nota: il gioco degli attacchi deve essere concentrico.

1) MOTOR

- Dock the fixed bracket to the mobile bracket at the end of the box where the motor is going to be placed .

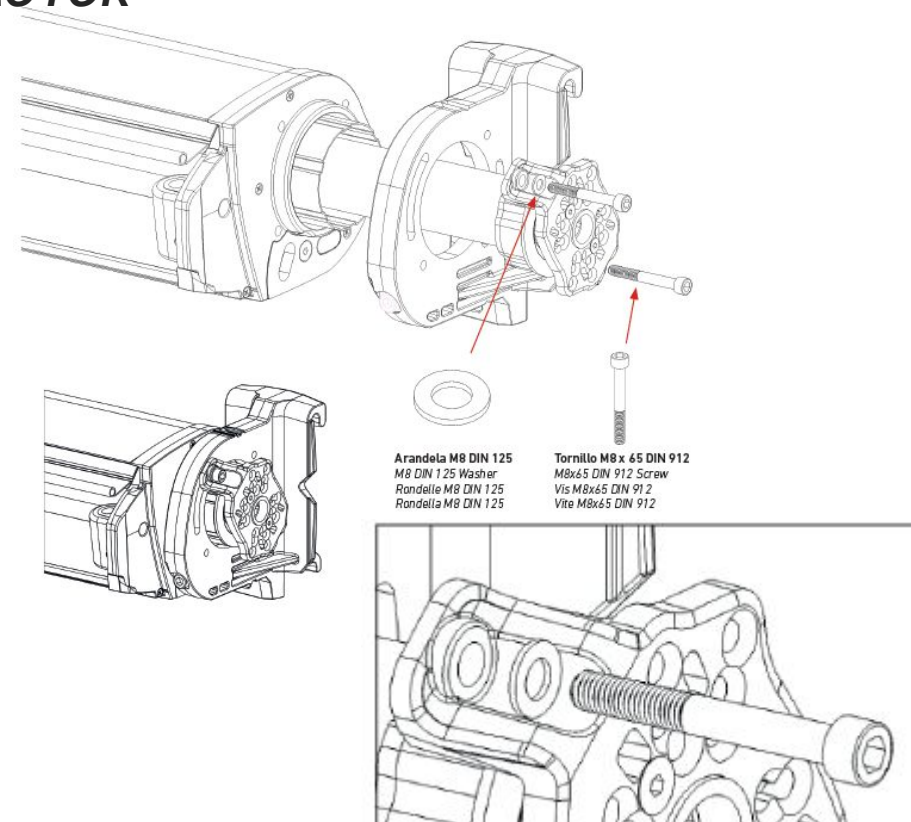
Orient it to wall or ceiling:

- Wall : Match the regulation bolt in groove 1.
- Ceiling: Match the regulation bolt in groove 2
- Cover the free groove.



1) MOTOR

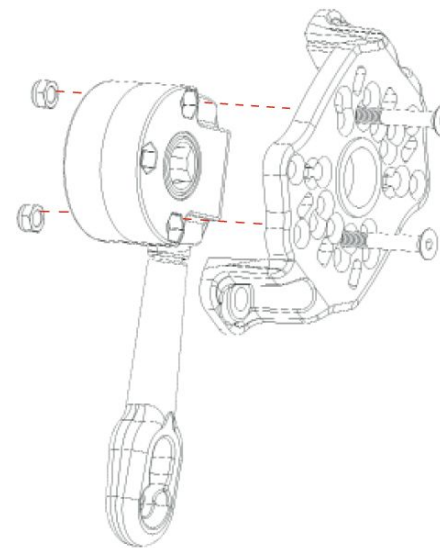
- *Introduce the motor set.*
- *Assemble the bracket with its screws without tightening.*



2) GEAR

- Assemble the gear on the bracket with screws that pass through it completely.
- Observe the fixing positions depending on the desired orientation.

Note: maximum 6x3 m



Tornillo M6 x 45 DIN 7991
M6x45 DIN 7991 Screw
Vis M6x45 DIN 7991
Vite M6x45 DIN 7991



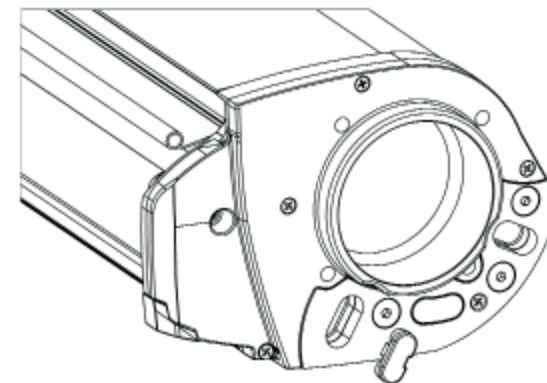
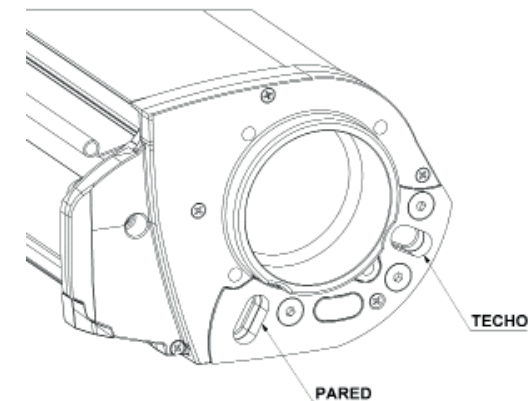
Tuerca M6 DIN 985
M6 DIN 985 Washer
Rondelle M6 DIN 985
Rondella M6 DIN 985

2) GEAR

- Dock the fixed bracket to the mobile bracket at the end of the box where the gear is going to be placed.

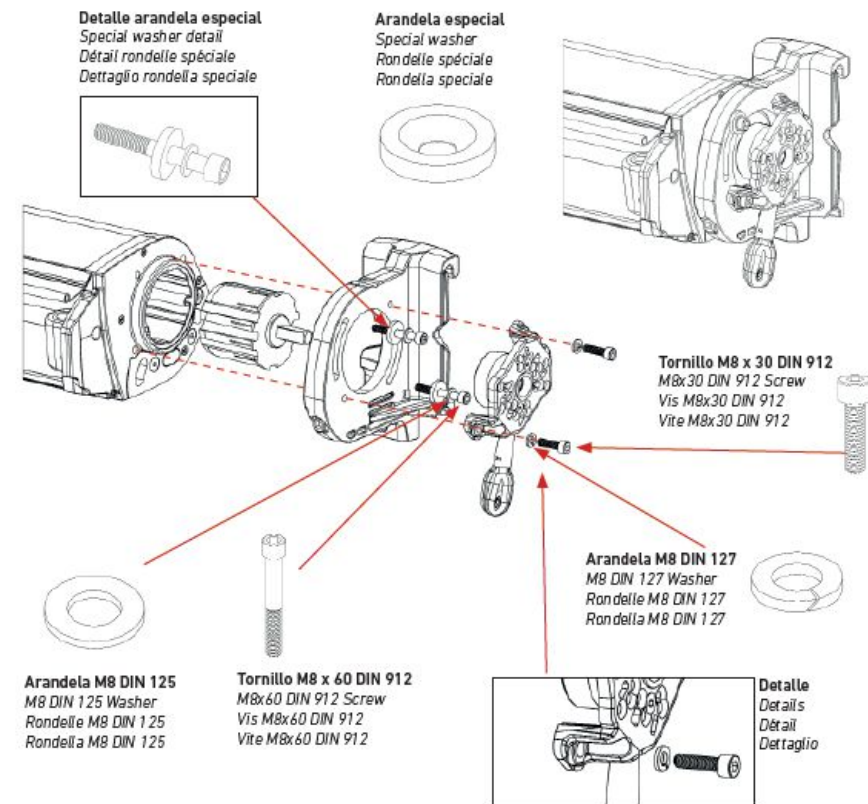
Orient it to wall or ceiling:

- Wall : Match the regulation bolt in groove 1.
- Ceiling: Match the regulation bolt in groove 2
- Cover the free groove.



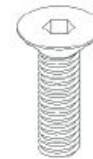
2) GEAR

- *Introduce the gear set.*
- *Assemble the bracket with its screws without tightening.*

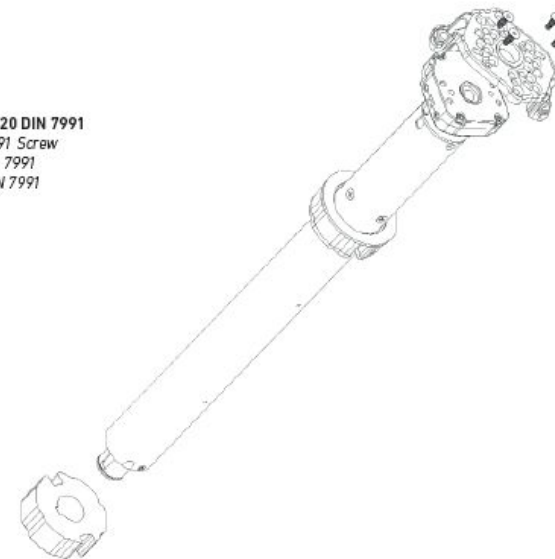


3) MOTOR MANUAL OVERRIDE

- *Choose the position in which to assemble the motor, wall or ceiling, and right or left side.*
- *Fix it to the motor bracket.*



Tornillo M6 x 20 DIN 7991
M6x20 DIN 7991 Screw
Vis M6x20 DIN 7991
Vite M6x20 DIN 7991

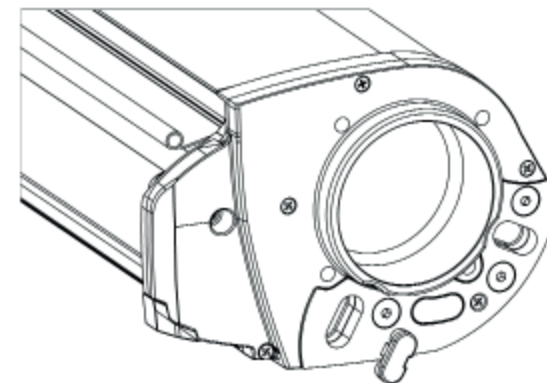
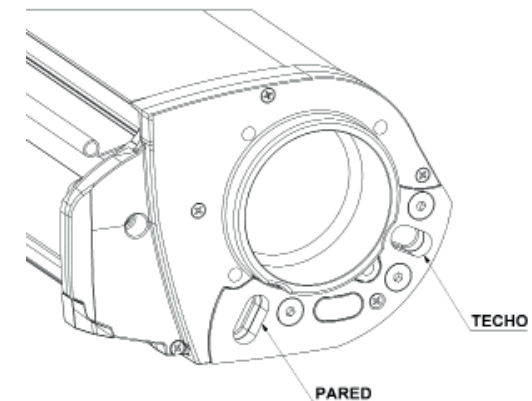


2) MOTOR MANUAL OVERRIDE

- Dock the fixed bracket to the mobile bracket at the end of the box where the motor is going to be placed .

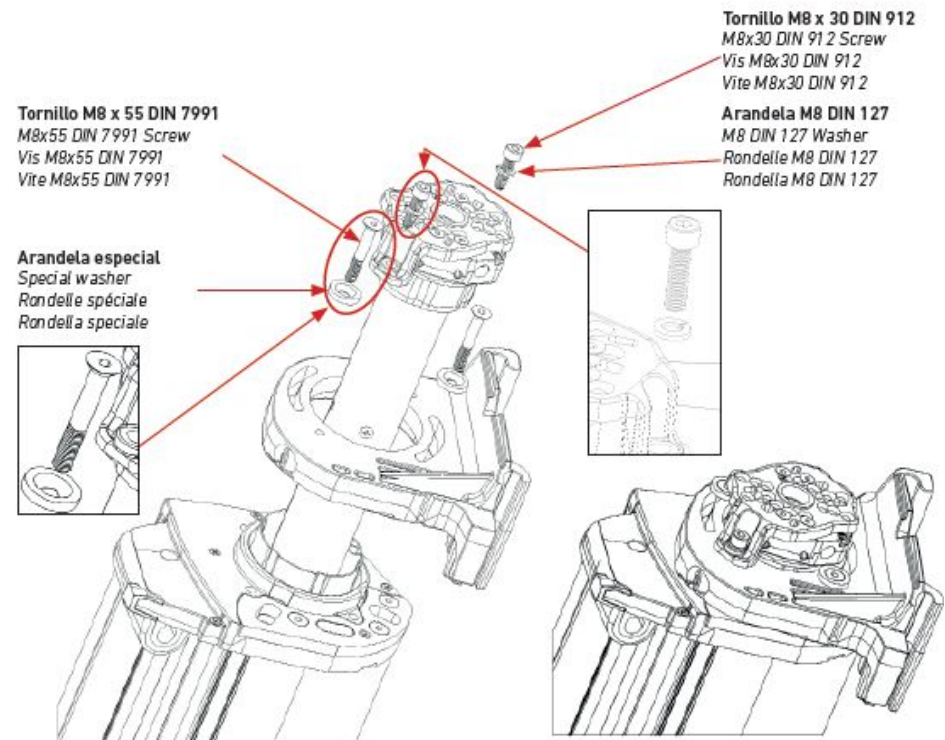
Orient it to wall or ceiling:

- Wall : Match the regulation bolt in groove 1.
- Ceiling: Match the regulation bolt in groove 2
- Cover the free groove.



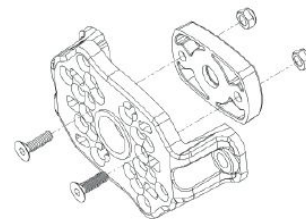
3) MOTOR MANUAL OVERRIDE

- *Introduce the motor set.*
- *Assemble the bracket with its screws without tightening.*



SIDE WITHOUT OPERATION

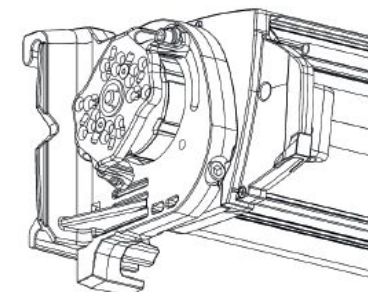
- Dock the fixed bracket to the mobile bracket
- Orient it in the same direction as the one in the other hand.
- Assemble the end point
- Do not tighten.



Tuerca M6 DIN 985
M6 DIN 985 Nut
Écrou M6 DIN 985
Dado M6 DIN 985



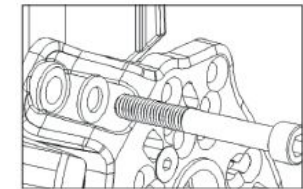
Tornillo M6 x 20 DIN 7991
M6x20 DIN 7991 Screw
Vis M6x20 DIN 7991
Vite M6x20 DIN 7991



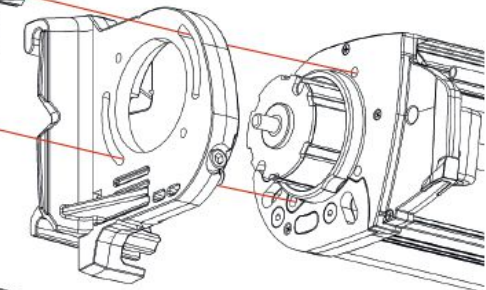
Tornillo M8 x 65 DIN 912
M8x65 DIN 912 Screw
Vis M8x65 DIN 912
Vite M8x65 DIN 912



Detalle
Details
Détail
Dettaglio

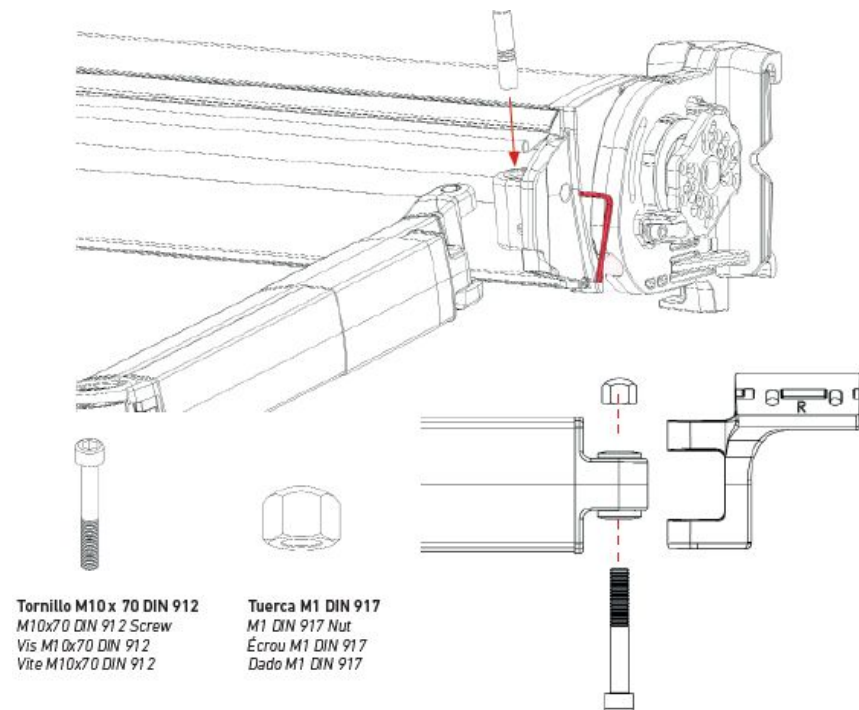


Arandela M8 DIN 125
M8 DIN 125 Washer
Rondelle M8 DIN 125
Rondella M8 DIN 125

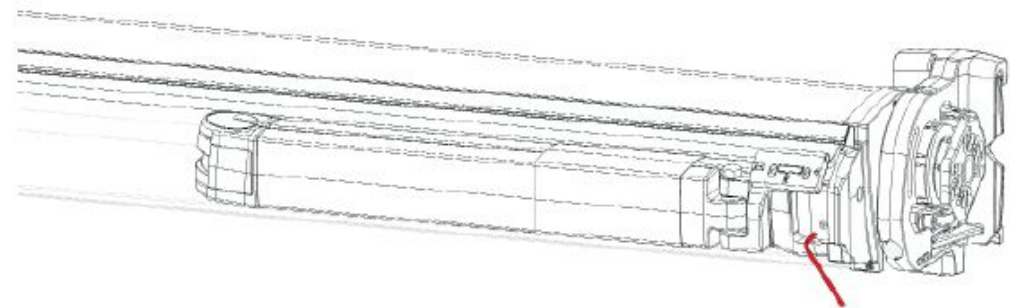


Arms assembly :

- *Ensure that the arms are folded and fastened with their cover.*
- *Assemble the arms in their housing, introduce the solid axes and fix them with the top screws. Do not tighten.*
- *Assemble the front adjustments to the front terminals.*

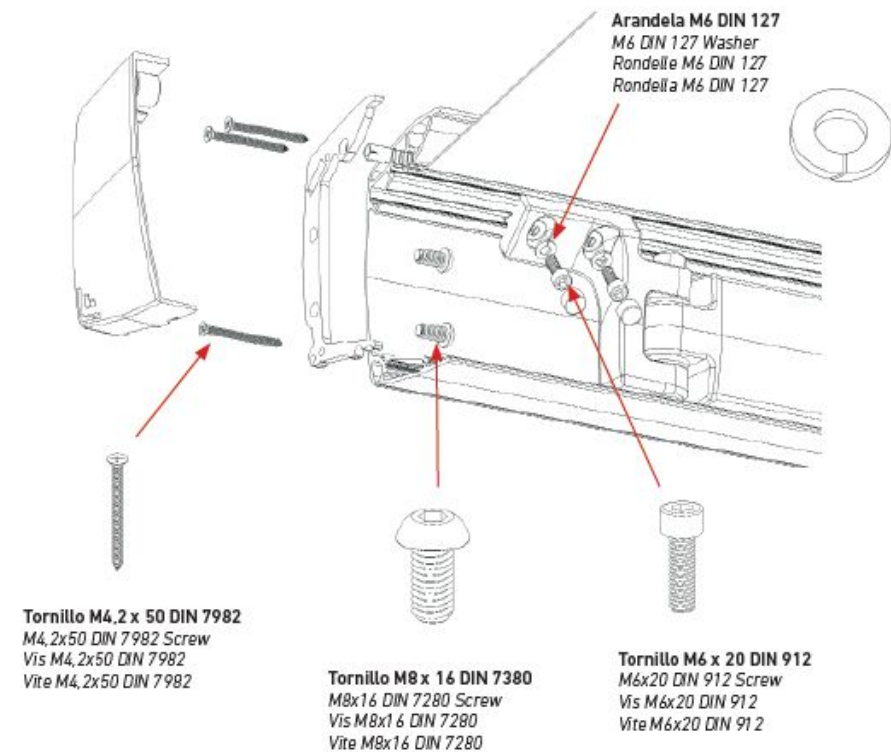


- *Adjust the elbow height through the front adjustment.*
- *The elbow, when the arm is folded, must be slightly higher than the back terminal.*



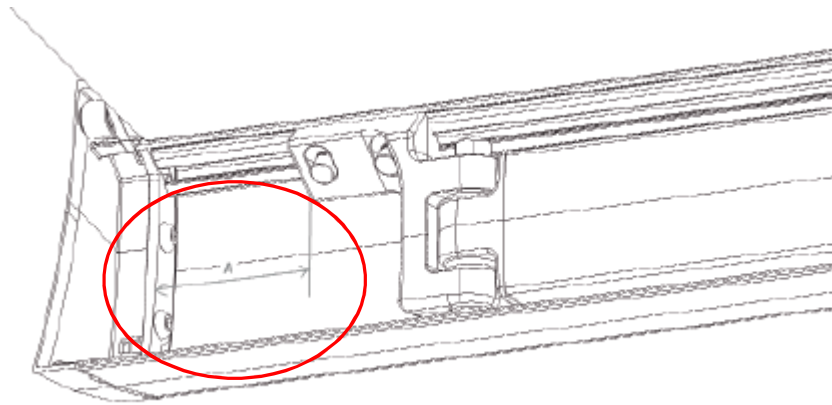
Charge profile assembly:

- Insert the canvas ogive in its appropriate profile housing.
- Screw in the front adjustments to the profile and the covers of the charge profile.



Arko

gaviota
Sun Life Specialist



Medida de brazos (m) • Arm size (m) Mesure des bras (m) • Misura dei bracci (m)	A (mm) • A (mm) A (mm) • A (mm)
2	78
2,5	
3	154
3,5	
4	

Arko

gaviota
Sun Life Specialist

INSTALLATION



- *Wall or ceiling*
- *Recommended: concrete B15*
- *Fastening by 4 fixing screws.*

Minimum efforts to support:

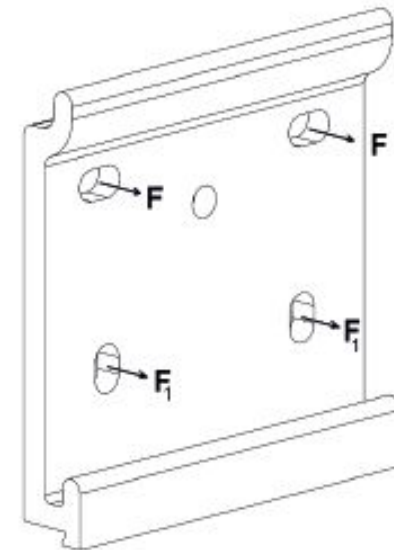
- Top elements:

- *765 Kg. with 3.5 & 4 m arms.*
- *605 Kg. with other projections.*

- Bottom elements:

- *345 Kg. in all cases.*

$$F = \begin{cases} 765 \text{ kg} = 1687 \text{ lb.} \\ 605 \text{ kg} = 1327 \text{ lb.} \end{cases}$$
$$F_1 = 345 \text{ kg} = 761 \text{ lb.}$$

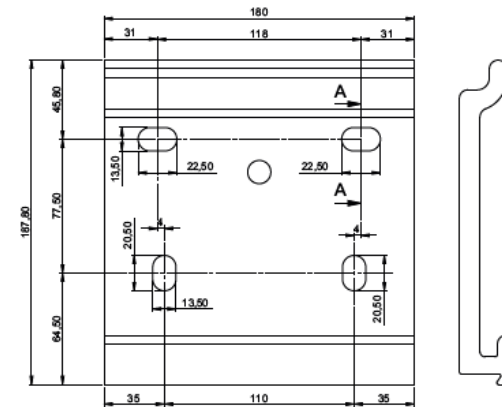


- Place the brackets on the wall according to distance D.

$$D = L$$

Only *with minimum widths*:

- $D = L - 24$ (all installations)

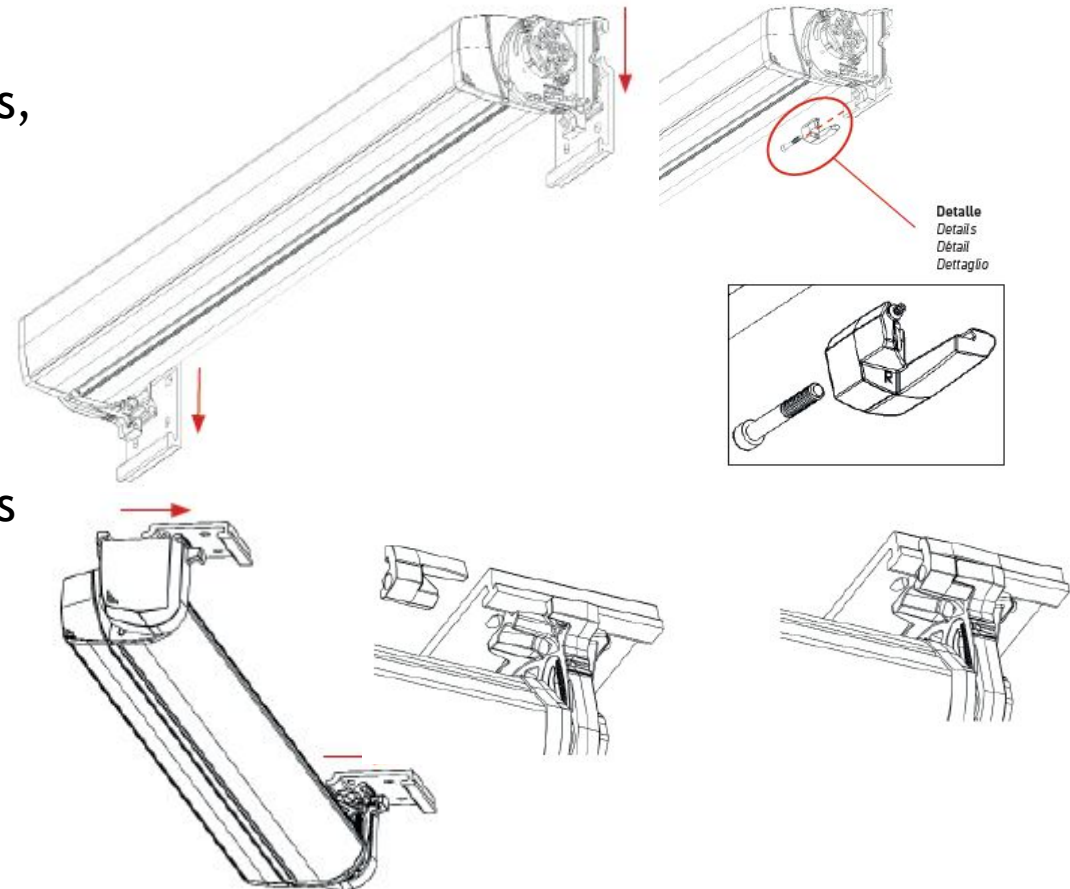


To wall :

- Hang the box on the wall brackets, centre their position
- Insert the blocking plates
- Screw them in.

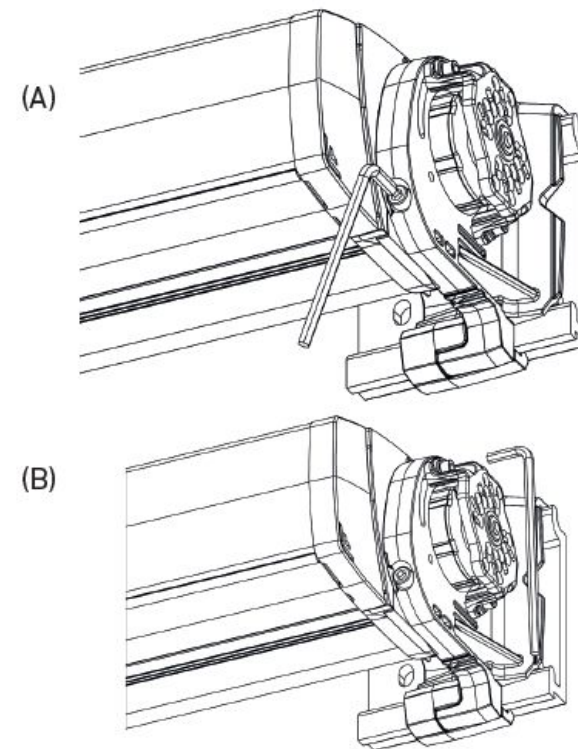
To ceiling :

- Hang the box on the wall brackets
- Immediately slide the blocking plates to fit them into the fixed brackets, to ensure that the box does not accidentally fall.
- Insert the blocking plates
- Screw them in.



Fabric inclination adjustment:

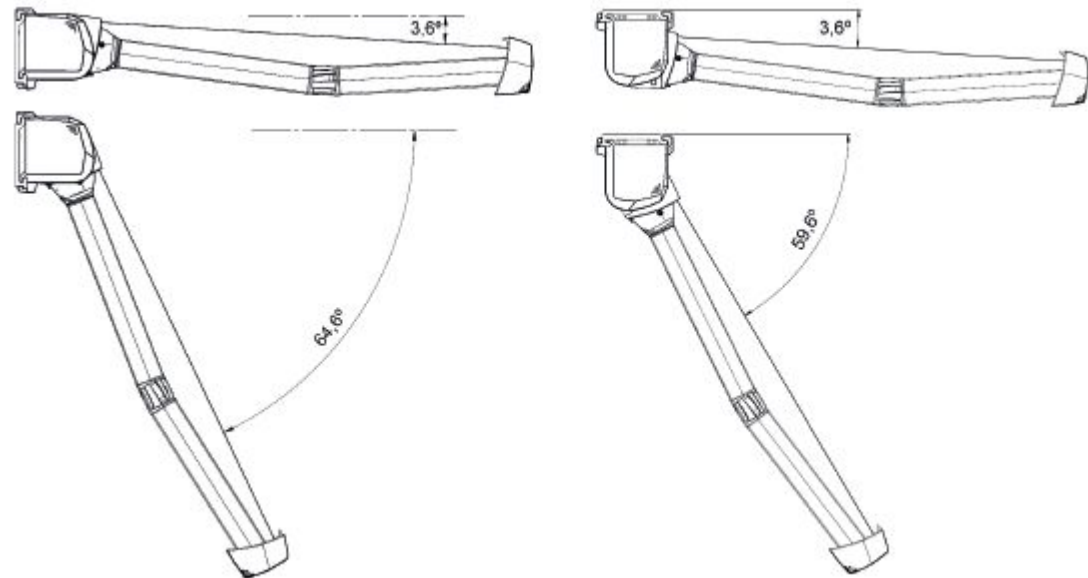
- Open the box as needed to see the inclination and act on the screw (A) in both brackets.
- Once adjusted, ensure that the load rod is aligned to the box profile. Then, screw (B) the mobile brackets to the fixed brackets.



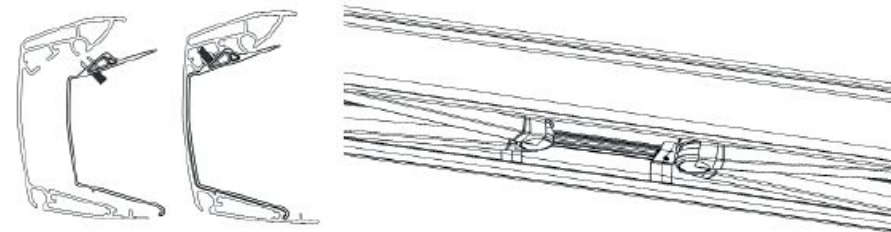
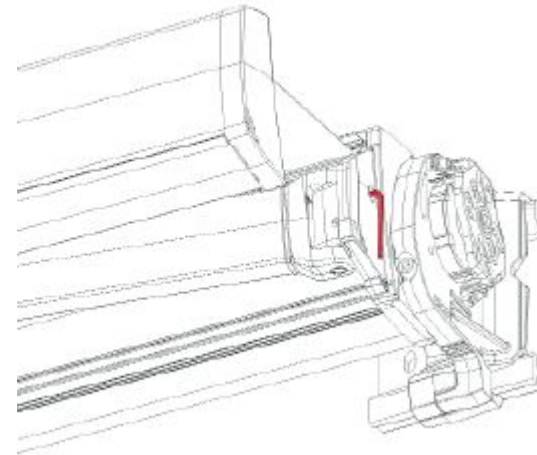
Important:

If use with rain is expected:

- Minimum canvas tilt: 14° .
- • If the tilt is less, the awning must be closed.
- • If the tilt is 14° or more, the awning may be fully open.



- Verify the correct box closure. If needed, change the elbow height with the box slightly open.
- Fix the back axis position.
- Open the box to install the elbow stoppers to their height.
- In addition, attach the stickers on the front profile, where the arms might touch.



LEDS LIGHTING

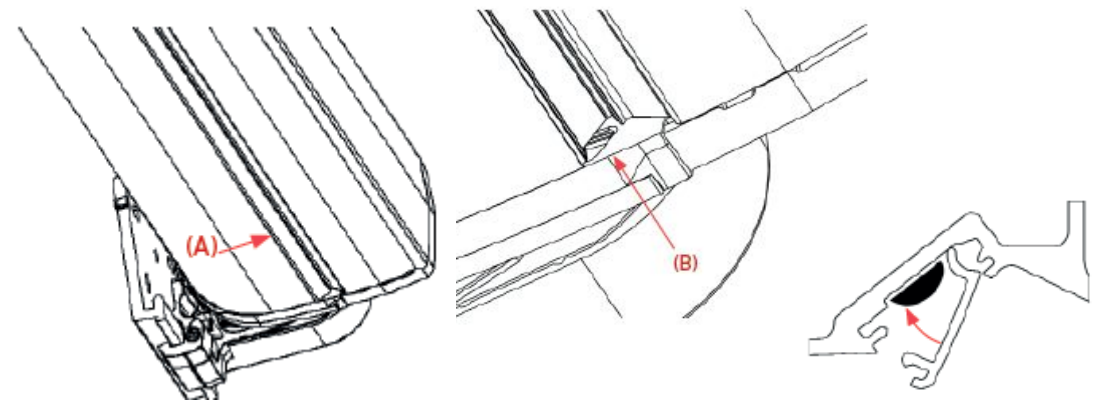
Without leds lighting :

- Place the profile that covers the channel.
- Clip in front.

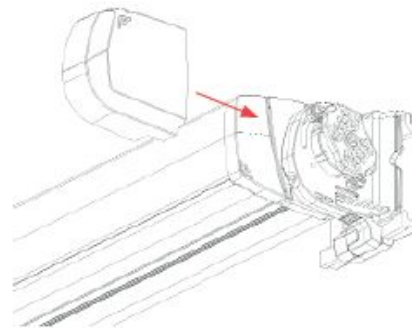


With leds lighting :

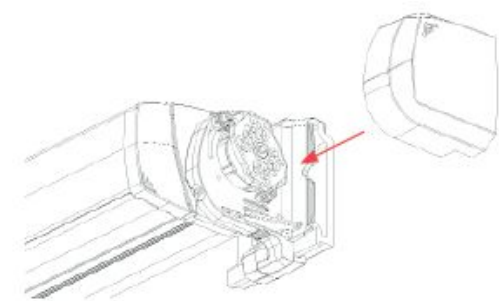
- Stick the LED strip on all the surface (A) and pass the cable (2 mm maximum thickness)through one of the openings (B).
- Clip the cover profile to hide the LEDs.



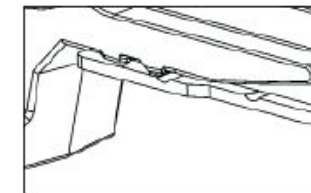
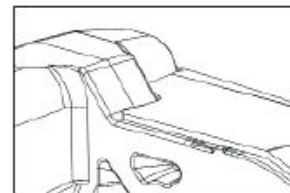
- Put the covers on the supports.
- Make sure that they fit correctly.



Tapa deslizando frontalmente
Frontal sliding cover
Couvercle coulissant frontalement
Tappo scorrevoli frontalmente



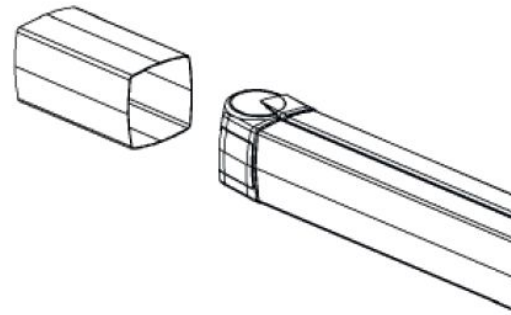
Tapa deslizando lateralmente
Side sliding cover
Couvercle coulissant latéralement
Tappo scorrevoli lateralmente



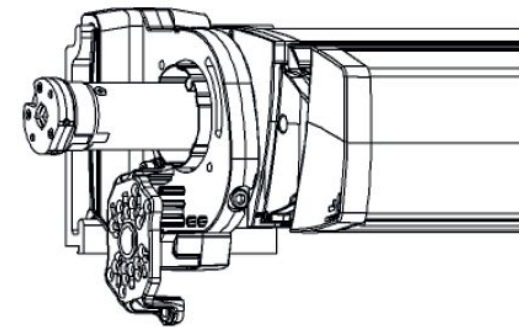
Detalle encaje de la tapa colocada
Installed cover details
Détails emboitement du couvercle placé
Dettagli incastro del tappo una volta posizionato

MOTOR DISASSEMBLING

- Open the box slightly and secure the two arms so they do not open completely.
- Release the motor support
Important! Keep one of the screws fixed.
- Turn the bracket and take out the motor.
- Use reverse procedure to put the awning in service.



Asegurar brazos
Secure the arms
Fixer les bras
Fissare i bracci



Extraer motor
Extract the motor
Extraire le moteur
Estrarre il motore

Arko

gaviota
Sun Life Specialist



NOTE: Copyright GAVIOTA SIMBAC S.L.

GAVIOTA SIMBAC S.L owns the copyrights to the photographs, illustrations, and text in this material, and these may not be used, copied, or reproduced in any form, nor by any means, without prior authorization of GAVIOTA SIMBAC S.L .



gaviota

Sun Life Specialist